



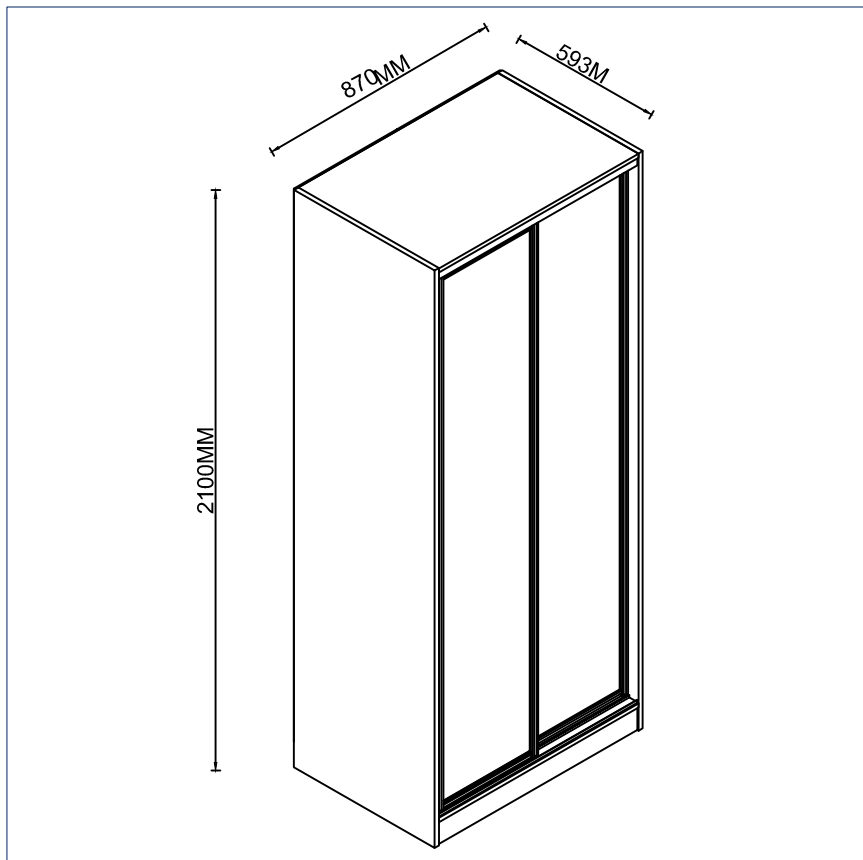
ASSEMBLY INSTRUCTION

Spacemaster Bobylon Promo 2 Door Robe

ITEM CODE 54920

Imported by Super Amart Pty Ltd, Qld, Brisbane Australia.

For any assistance with assembly or for missing parts please phone Super Amart Ewing Road, Customer Service Free call 1800 351 084



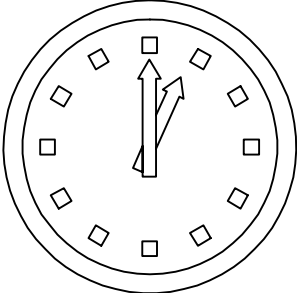
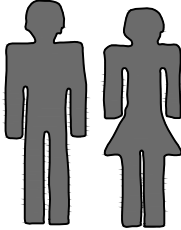
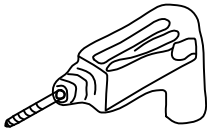

Imported by Super Amart Pty Ltd, Qld, Brisbane Australia.

For any assistance with assembly or for missing parts please phone Super Amart Ewing Road, Customer Service Free call 1800 351 084

PRE-ASSEMBLY PREPARATION

Before you start:

1. Choose a clean, level, spacious assembly area. Avoid hard surfaces that may damage the product.
2. Take care when lifting. Product should be assembled as near as possible to the point of use.
3. Ensure that you have all required contents for complete assembly.
4. Always read the assembly instructions carefully before beginning assembly.
5. Keep all hardware parts and packaging out of reach of small children.
6. Do not over tighten the screws and bolts as this may damage the threads.

 <p>120min</p>	 <p>2 People Required</p>	 <p>Low speed (Ø6mm)</p>
 <p>ADDITIONAL TOOLS REQUIRED</p>		



WARNING

Serious or fatal injuries may occur from furniture toppling over. To help avoid this please follow the below recommendations:

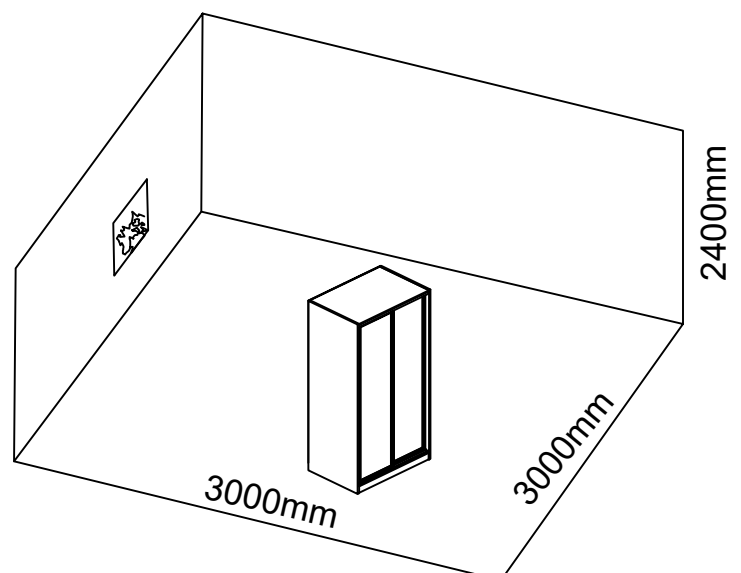
- Install the provided "Tipping Kit" as per the instructions
- Never allow children to climb on or hang off of any part of this product
- Unless specifically designed to accommodate, do not set TVs or other heavy objects on top of this product

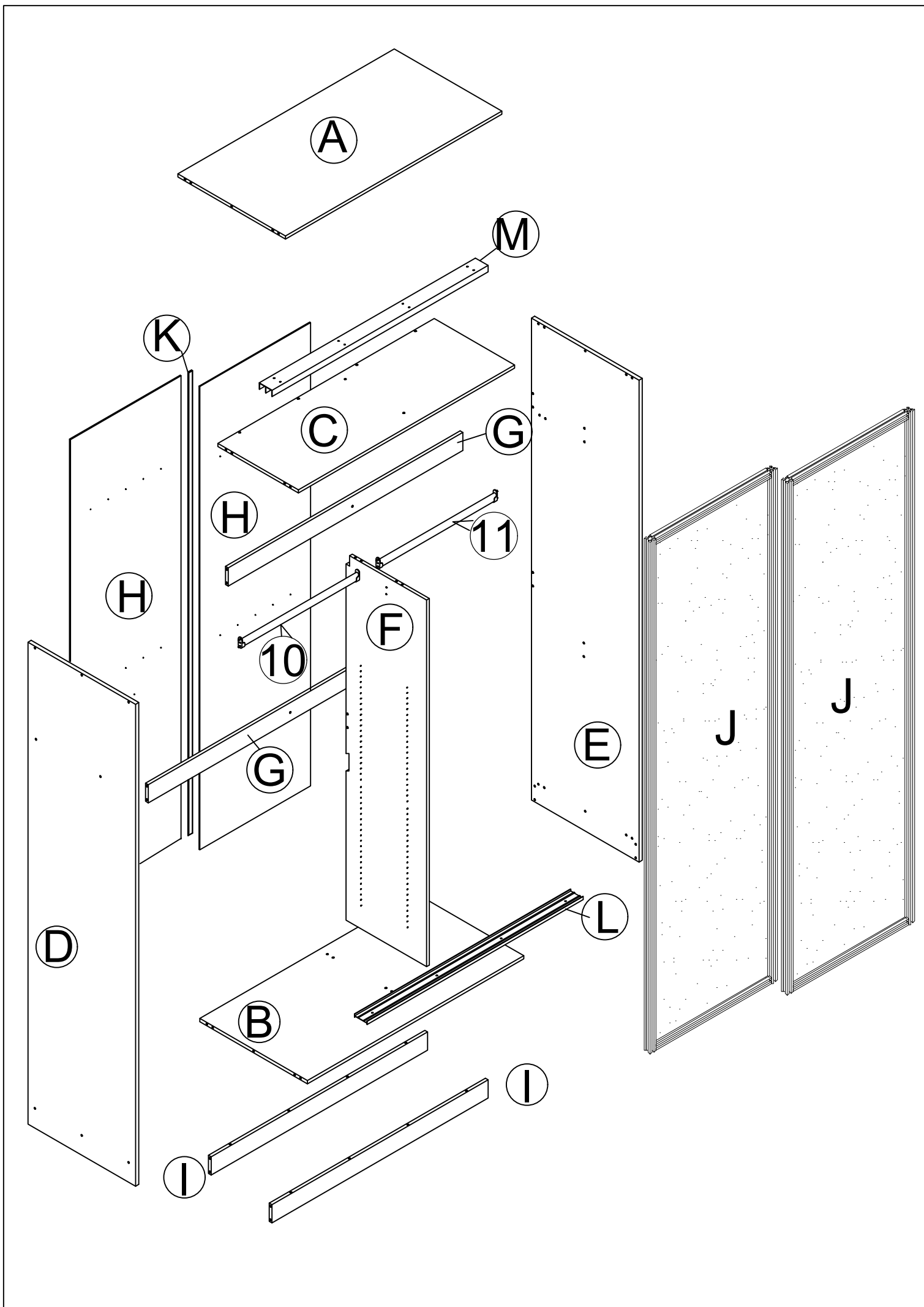
If this product has drawers:

- Place the heaviest items in lowest drawers
- Do not open more than 1 drawer at a time as this may cause the product to become unbalanced
- Do not tamper with or remove any drawer interlocking/running system

Note: The use of the provided "Tipping Kit" may reduce but not necessarily eliminate the risk of furniture toppling over. Please use this product with caution.

This is a permanent label. Do not attempt to remove!







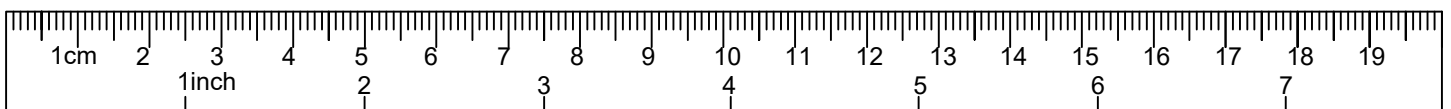
20min

Item Code- 54920


Panel(Mark)	Packing carton	Quantity	Picture	Dimension
A	(Box 2)	1 PC		834*588*15mm
B	(Box 2)	1 PC		834*588*15mm
C	(Box 2)	1 PC		834*440*15mm
D	(Box 1)	1 PC		2100*588*18mm
E	(Box 1)	1 PC		2100*588*18mm
F	(Box 1)	1 PC		1635*440*15mm
G	(Box 2)	2 PCS		834*90*15mm
H	(Box 1)	2 PCS		2010*429*5mm
I	(Box 2)	2 PCS		834*90*15mm
J	(Box 3)	2 PCS		1950*422*30mm
K	(Box 1)	1 PC		1978*15*9mm
L	(Box 2)	1 PC		833*70*15mm
M	(Box 2)	1 PC		833*65*30mm

① Ø8 x 30 mm 38 PCS	② Ø10xM7x49 mm 24 PCS	③ Ø15 x 5 mm 22PCS	④ 4 x 18mm 8 PCS	⑤ 4 x 22mm 4 PCS	⑥ 3.5 x 14 mm 20 PCS	⑦ Ø9 x Ø3 x 14 mm 16 PCS
⑧ Ø3 x M1.5 x18mm 58 PCS	⑨ 40*20*13mm 4 PCS	⑩ 392x 15 x 28 mm 1PC	⑪ 411x 15 x 28 mm 1PC	⑫ 29x 18 x 18 mm 4 PCS	⑬ Ø4 x 60 x 20mm 1 PC	⑭ 20 x 40 x 1.2mm 1 PC
⑮ Ø9 x Ø6 x 25mm 1 PC	⑯ Ø9 x Ø4 x 15mm 1 PC	⑰ Ø9 x Ø4 x25mm 1 PC				

Please note - All Hardwares in box 2.

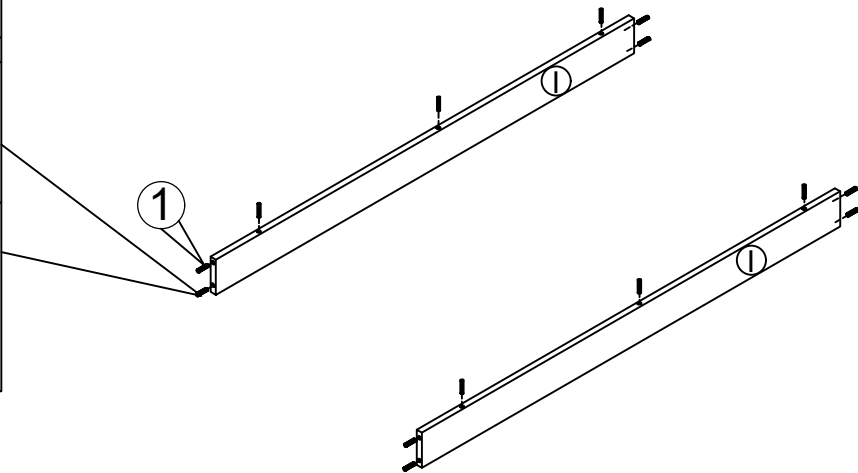
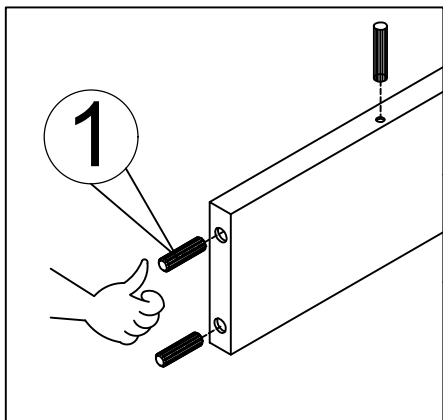


1


 ① x 14



1min

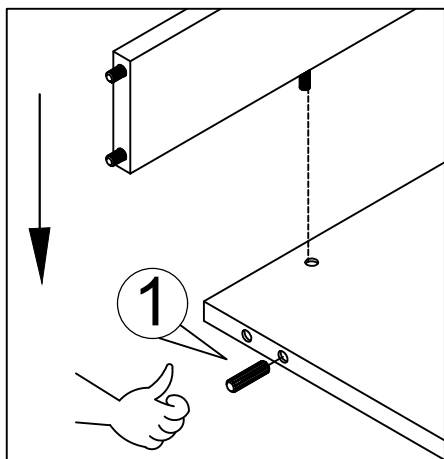
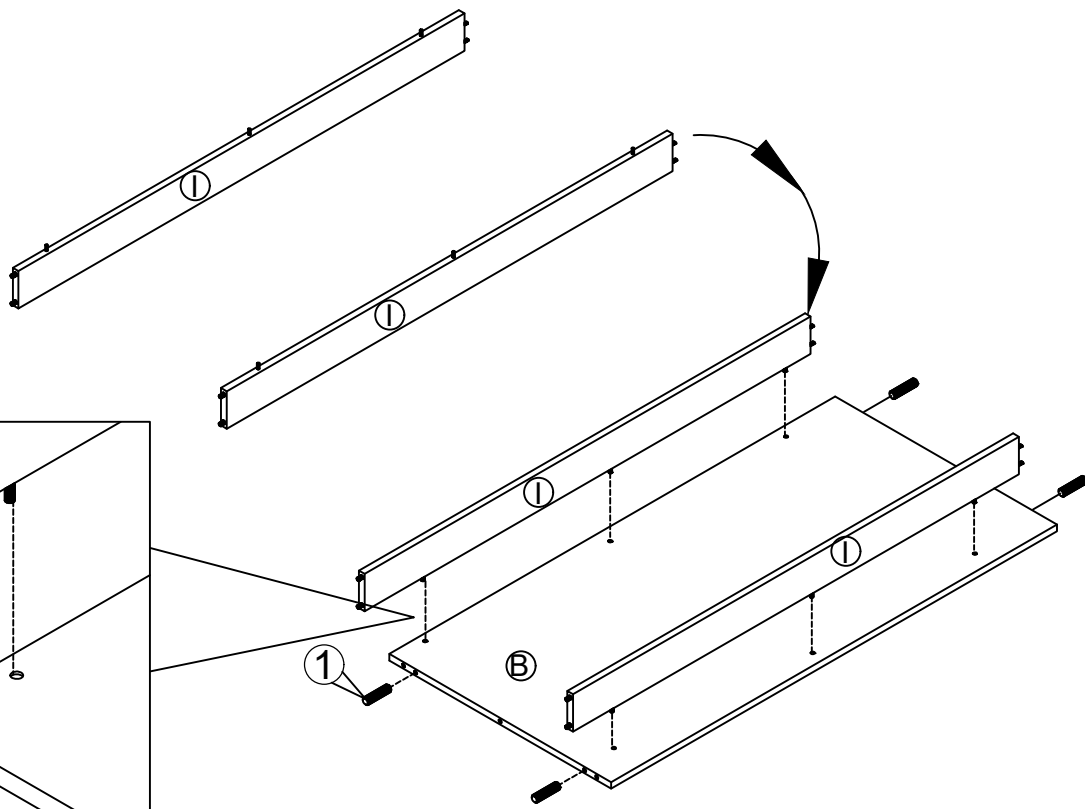


2

 ① x 4



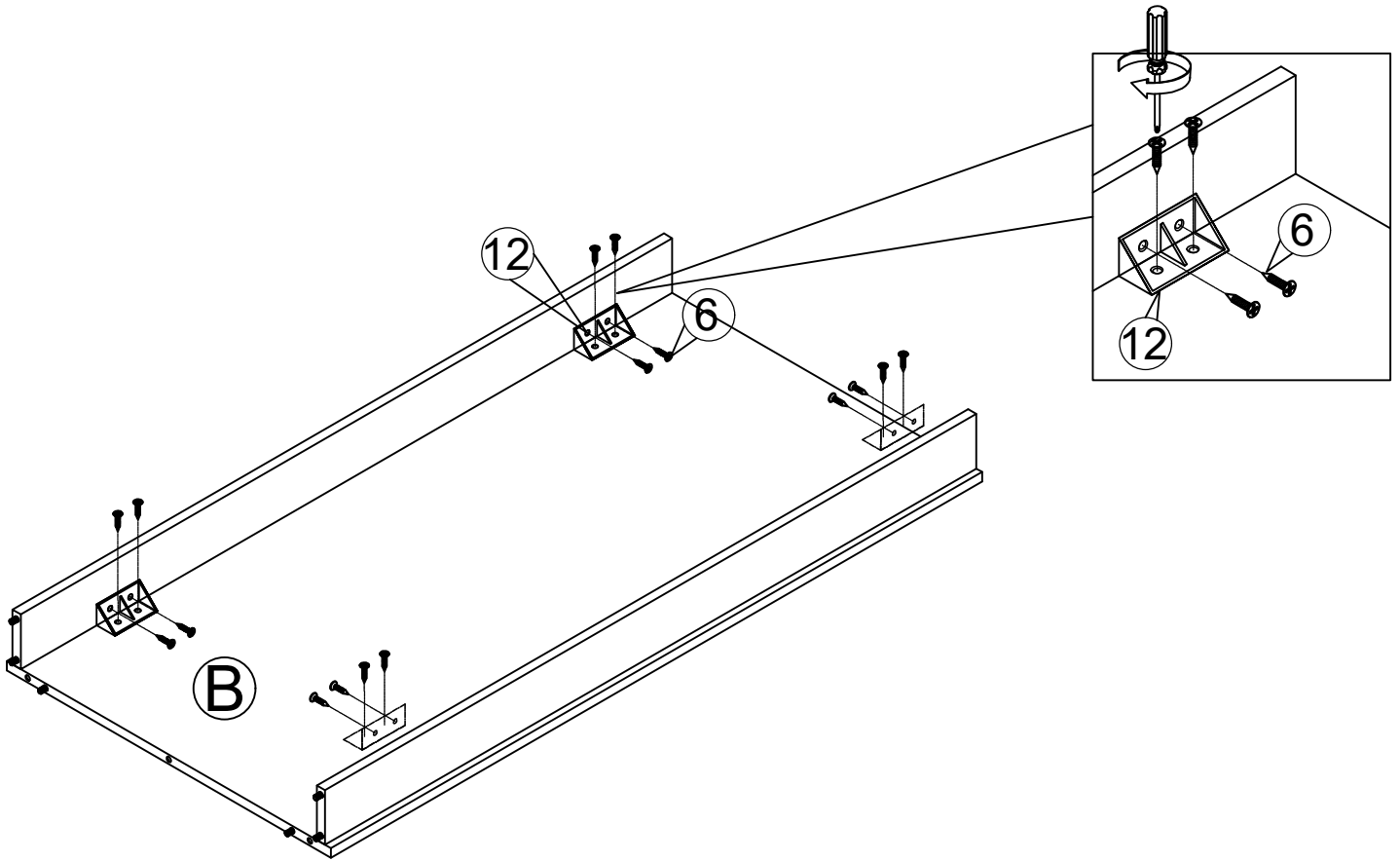
1min



3

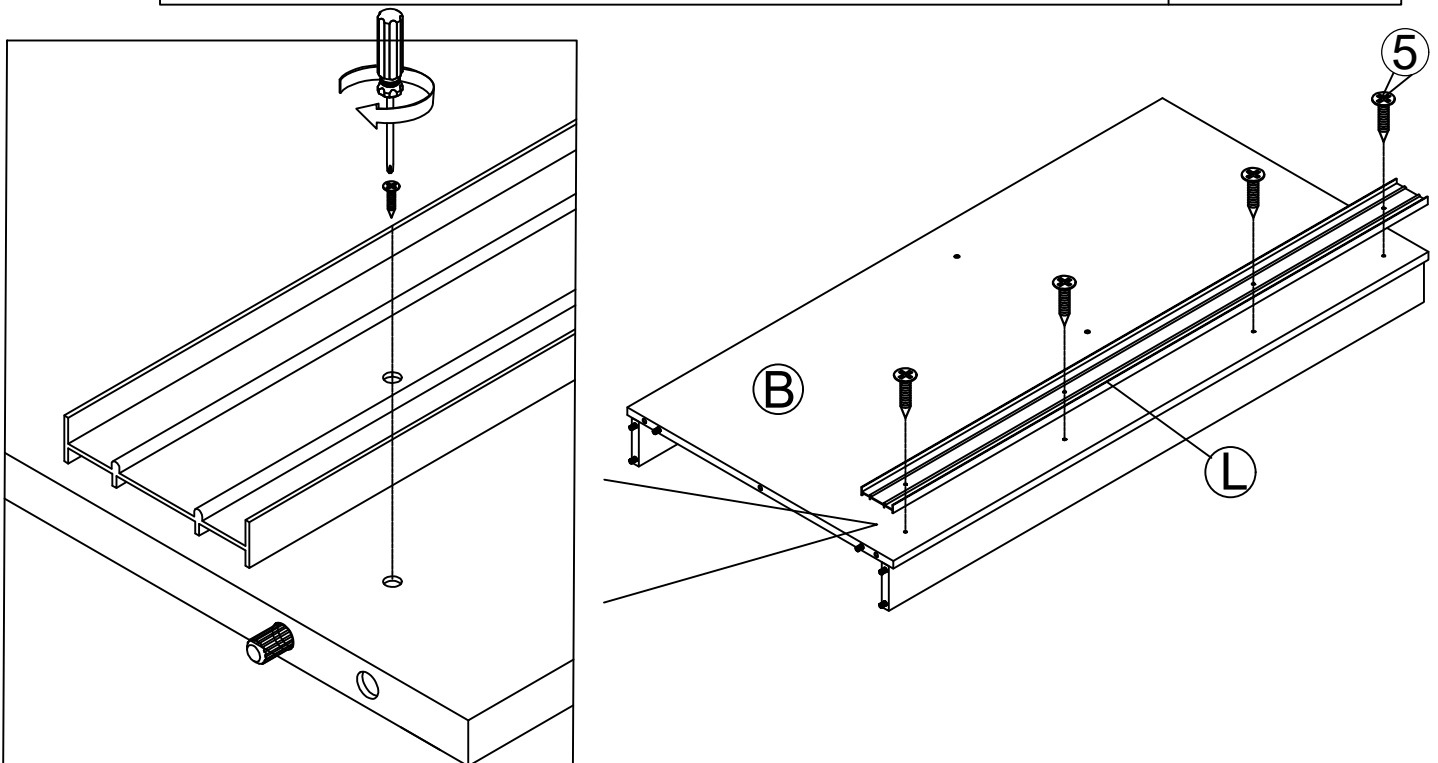
⑥ x 16

⑫ x 4

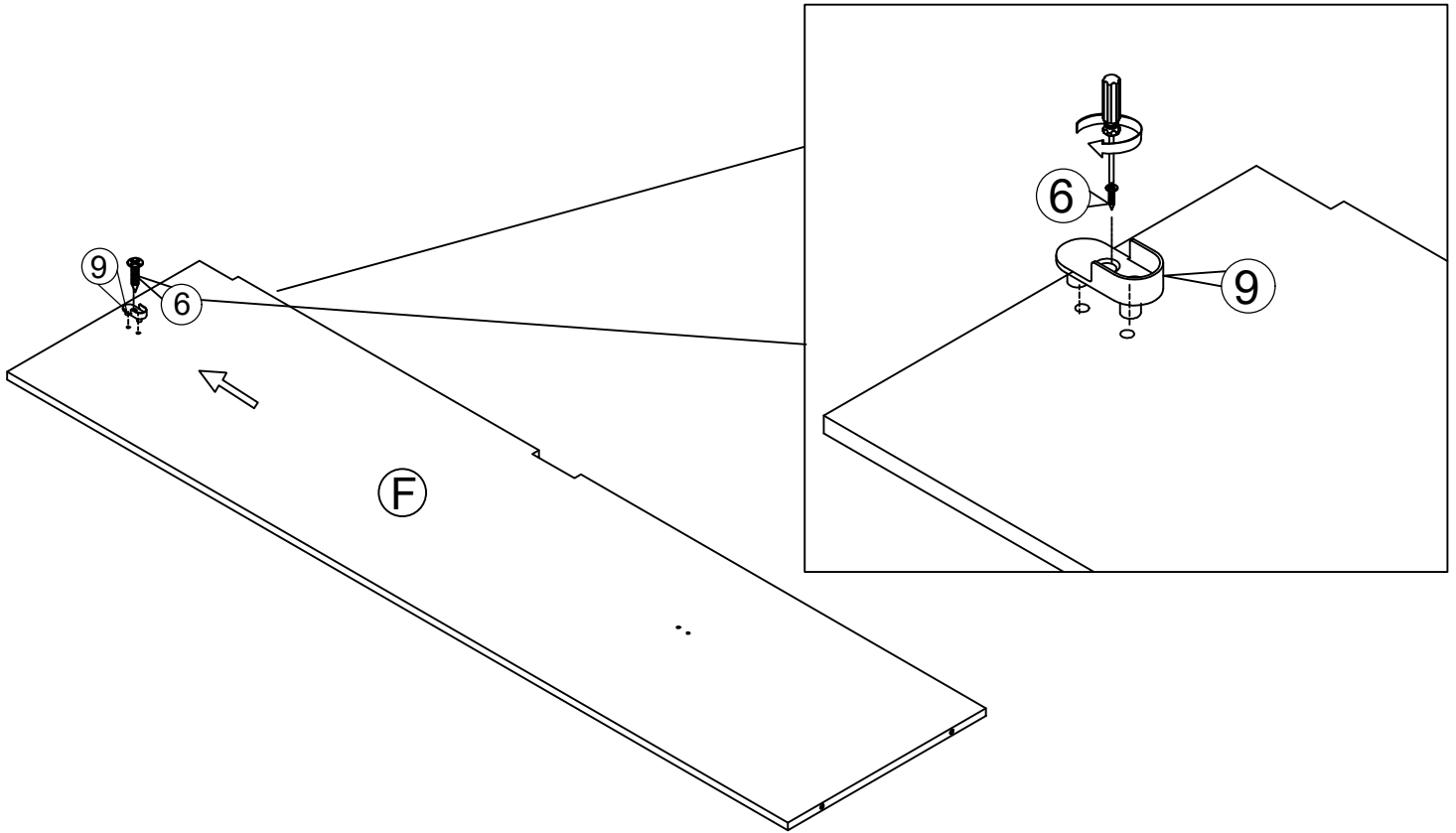


4

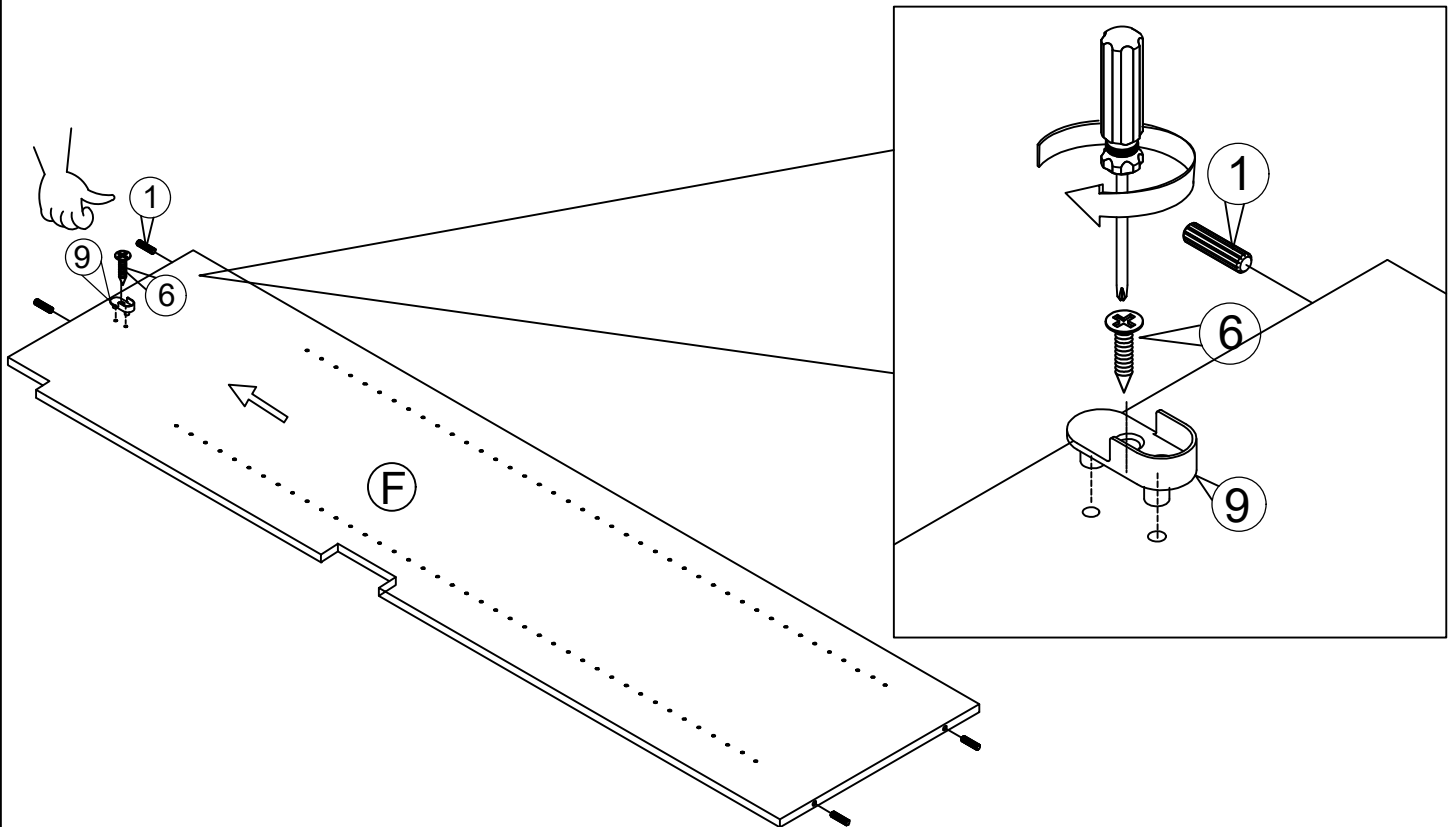
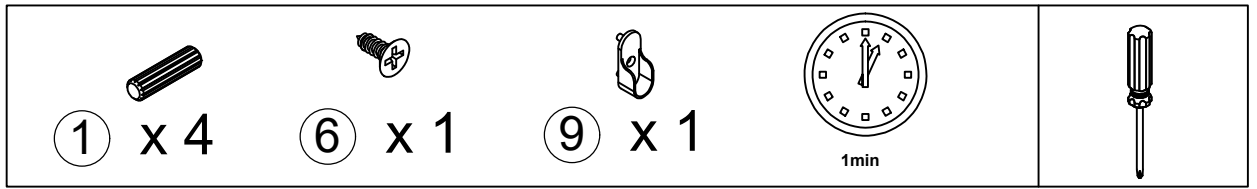
⑤ x 4



5



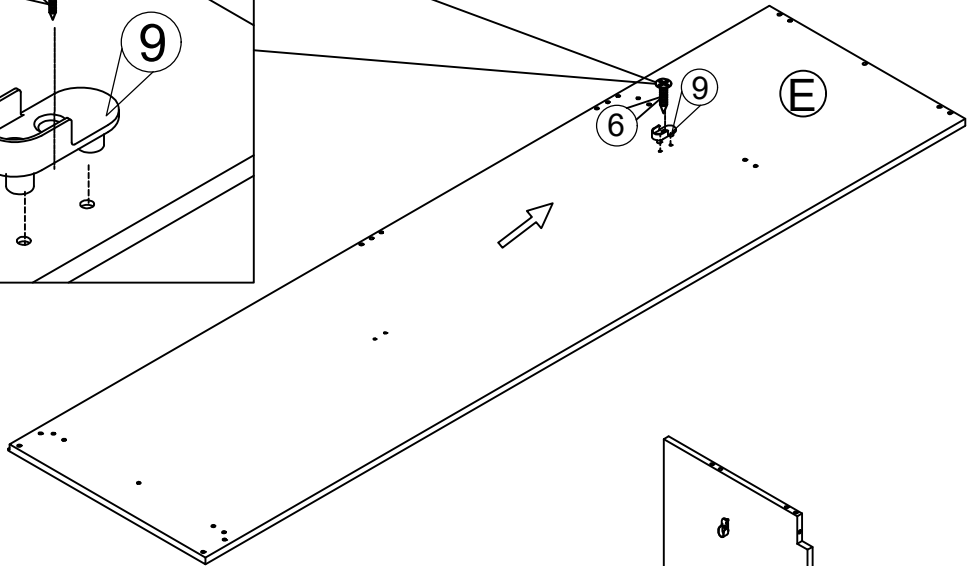
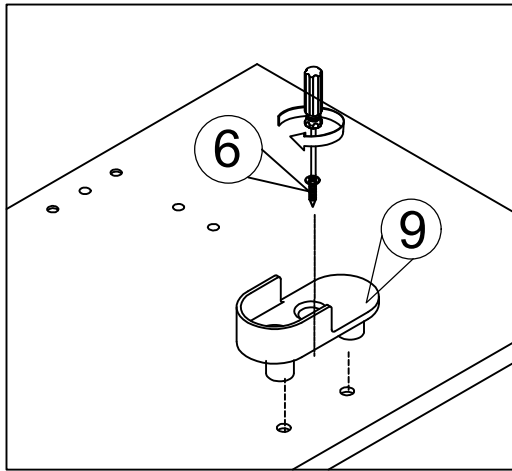
6



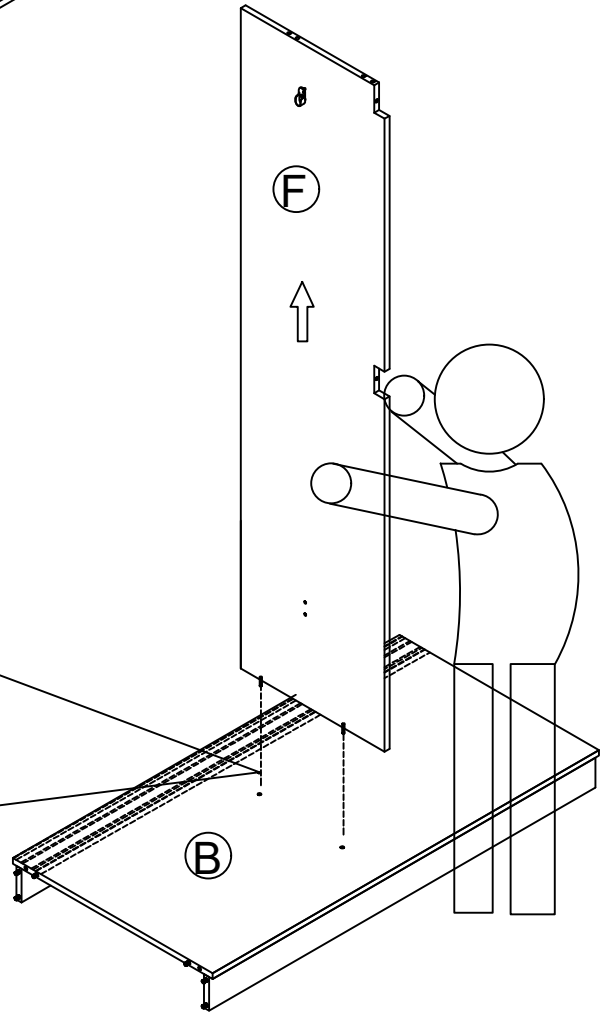
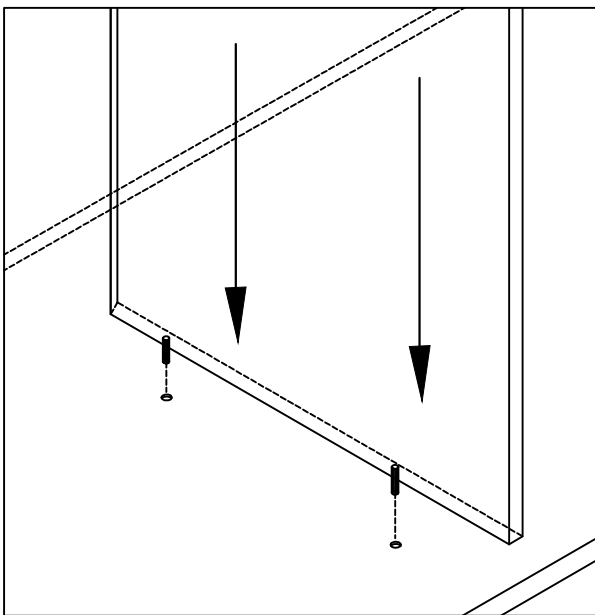
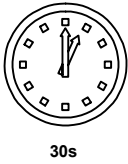
7

⑥ x 1

⑨ x 1



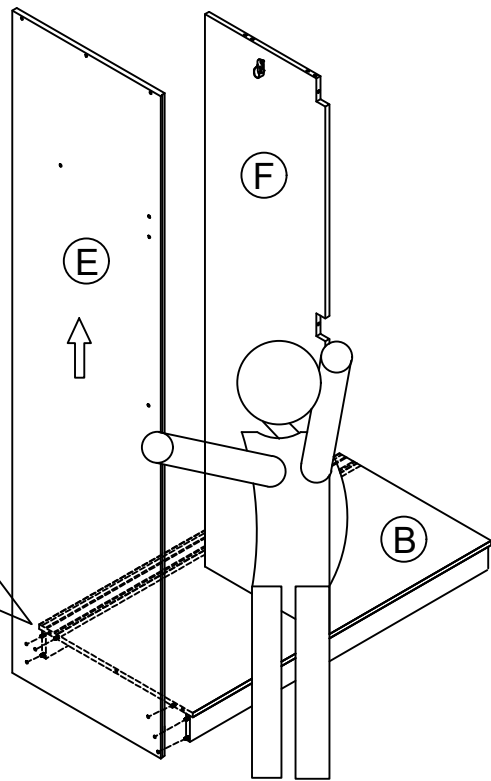
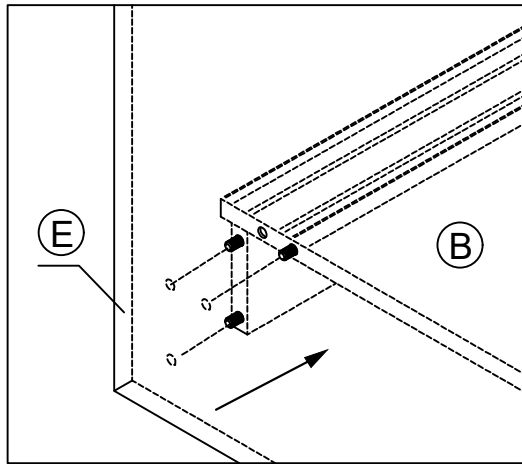
8



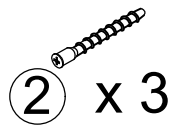
9



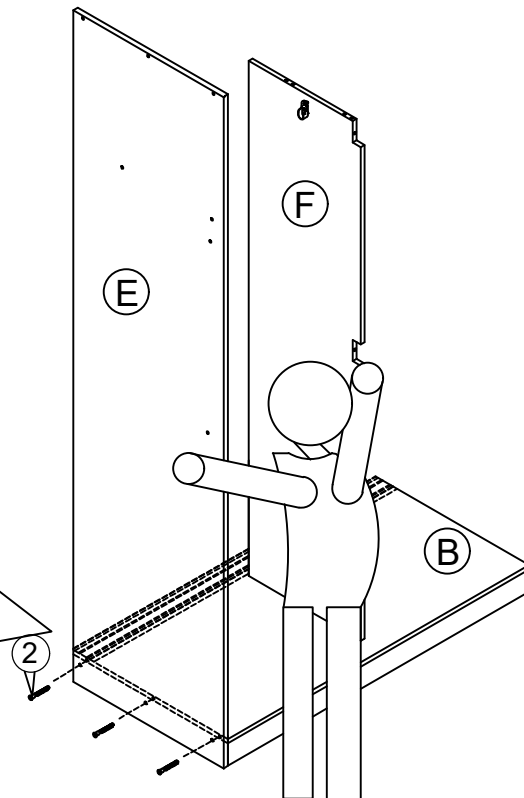
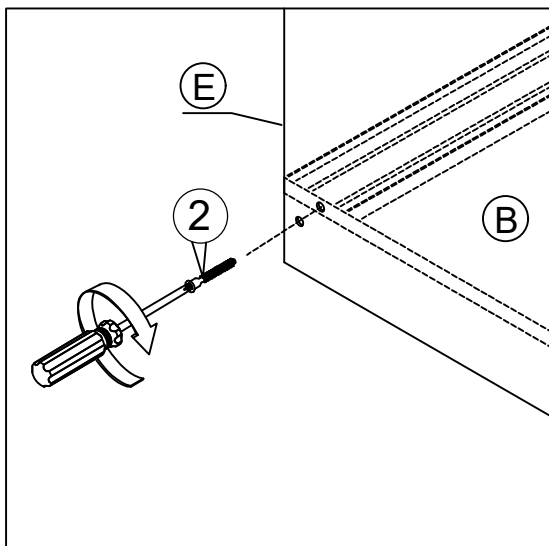
30s




10



1min

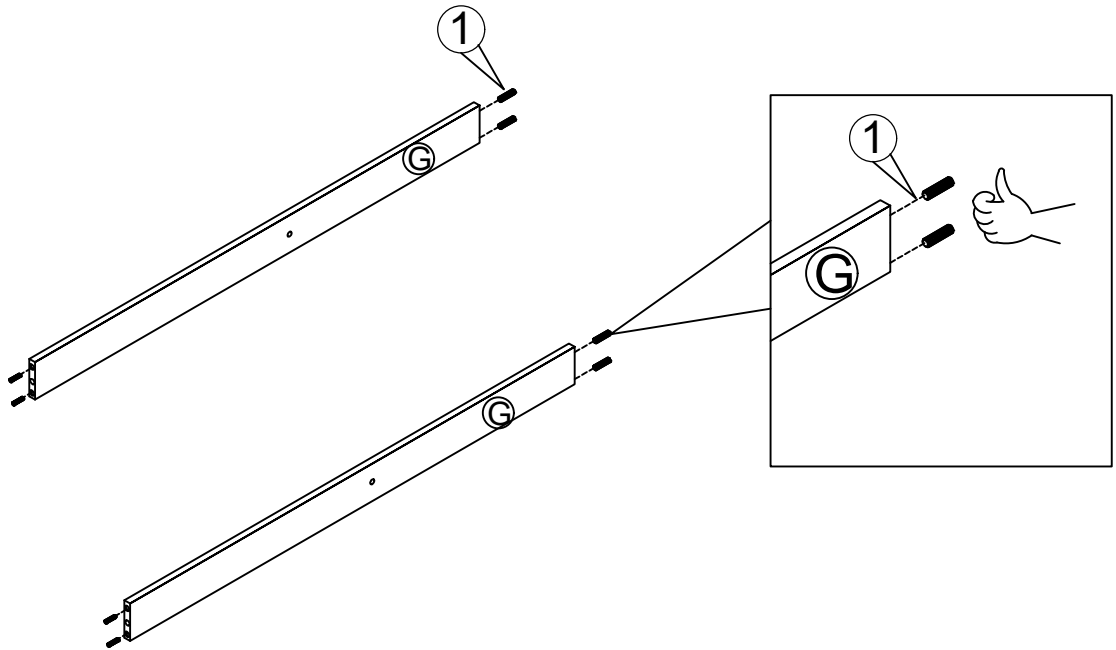


11



① x 8



30s

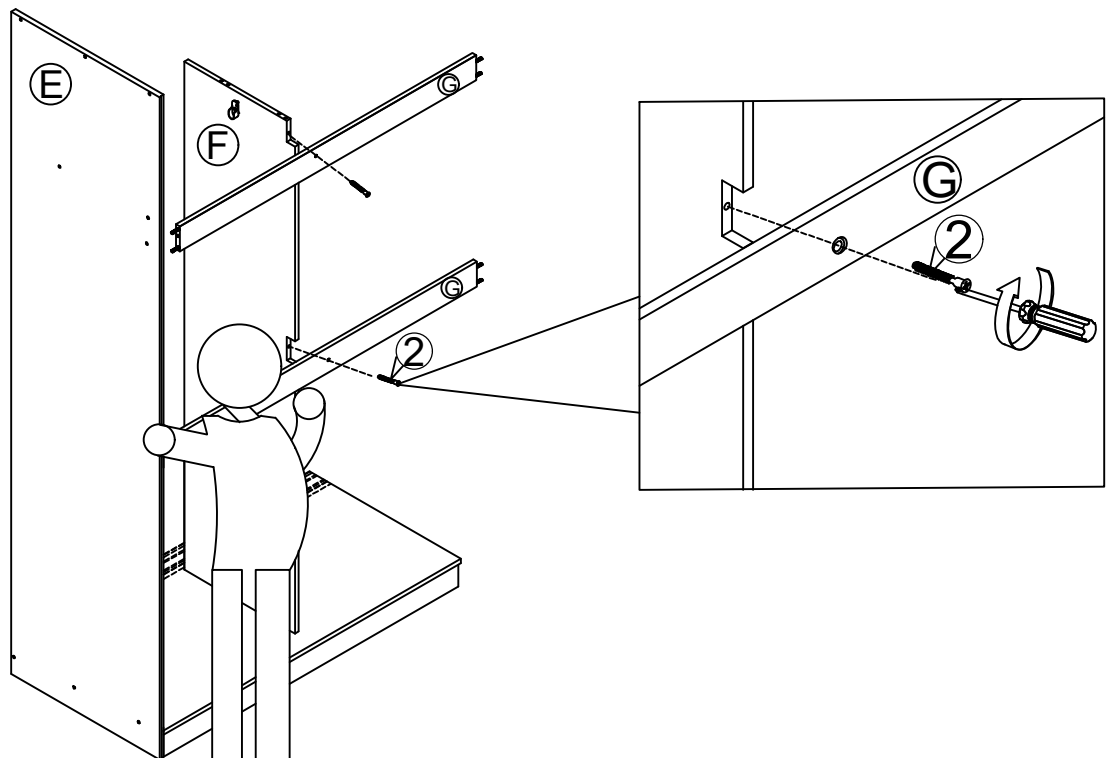


12


② x 2



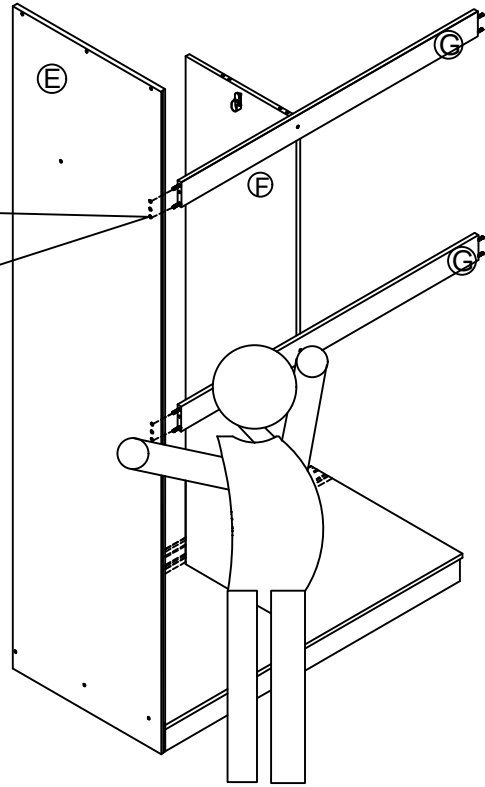
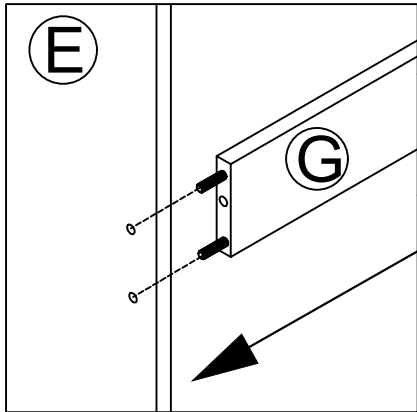
2min




13



30s

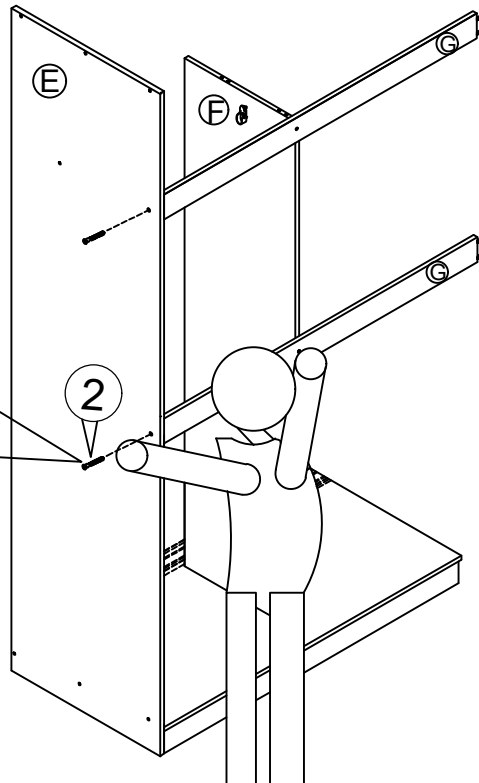
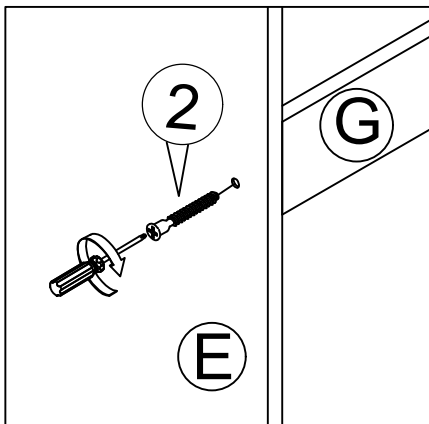


14



② x 2

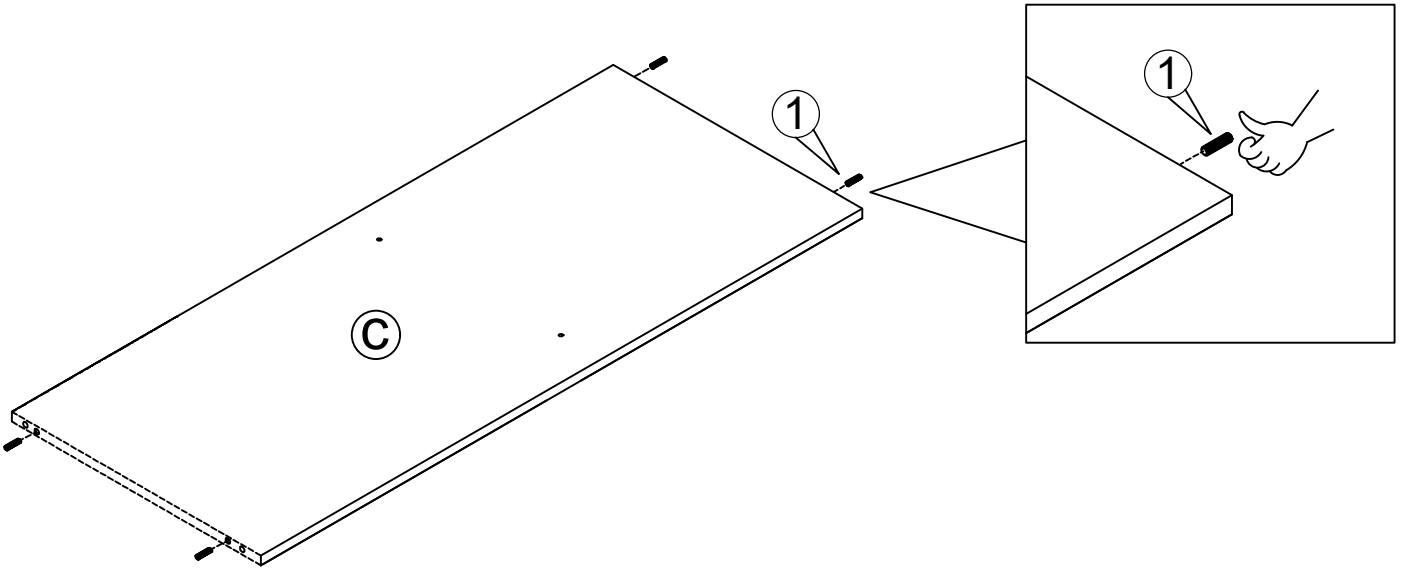


2min

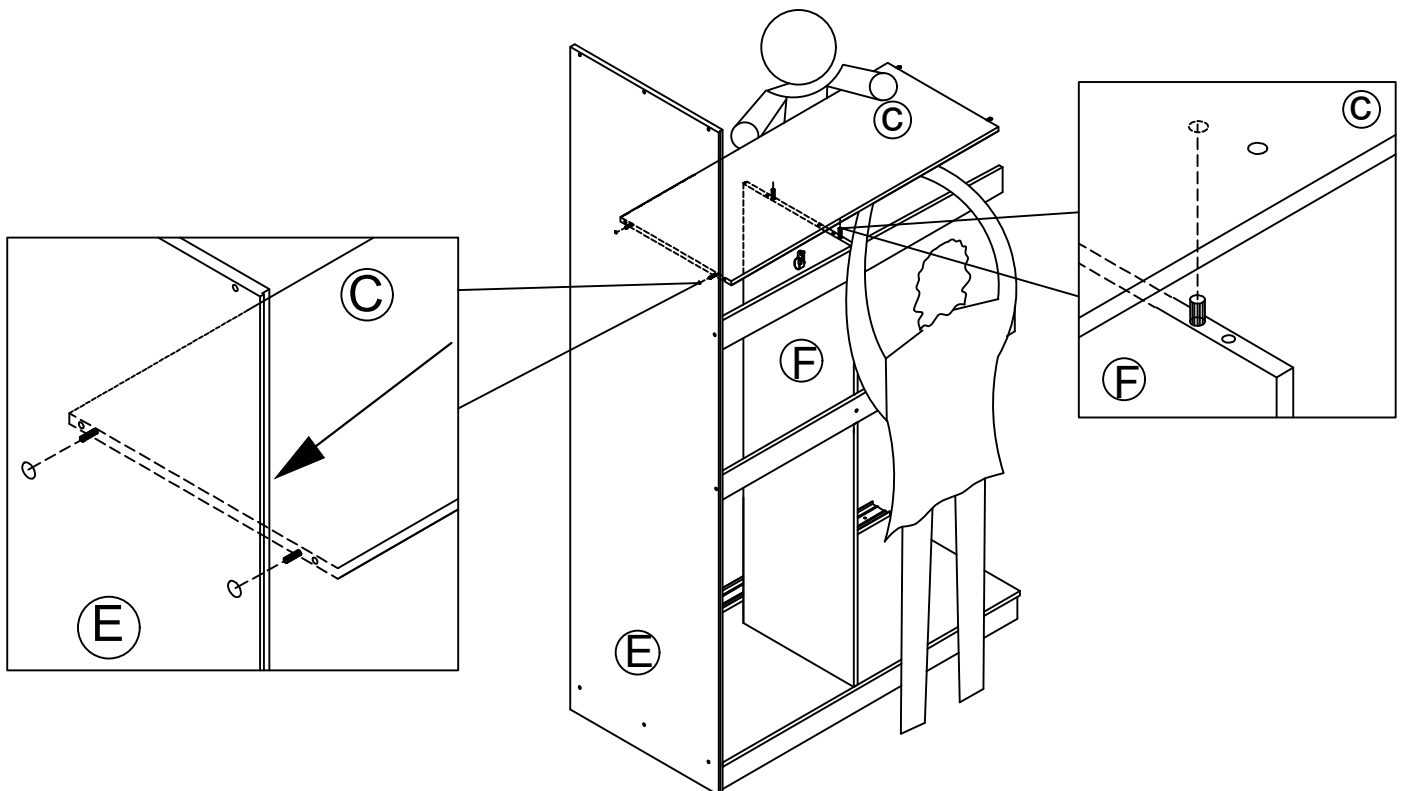
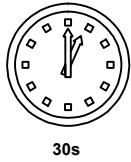


15



① x 4



16

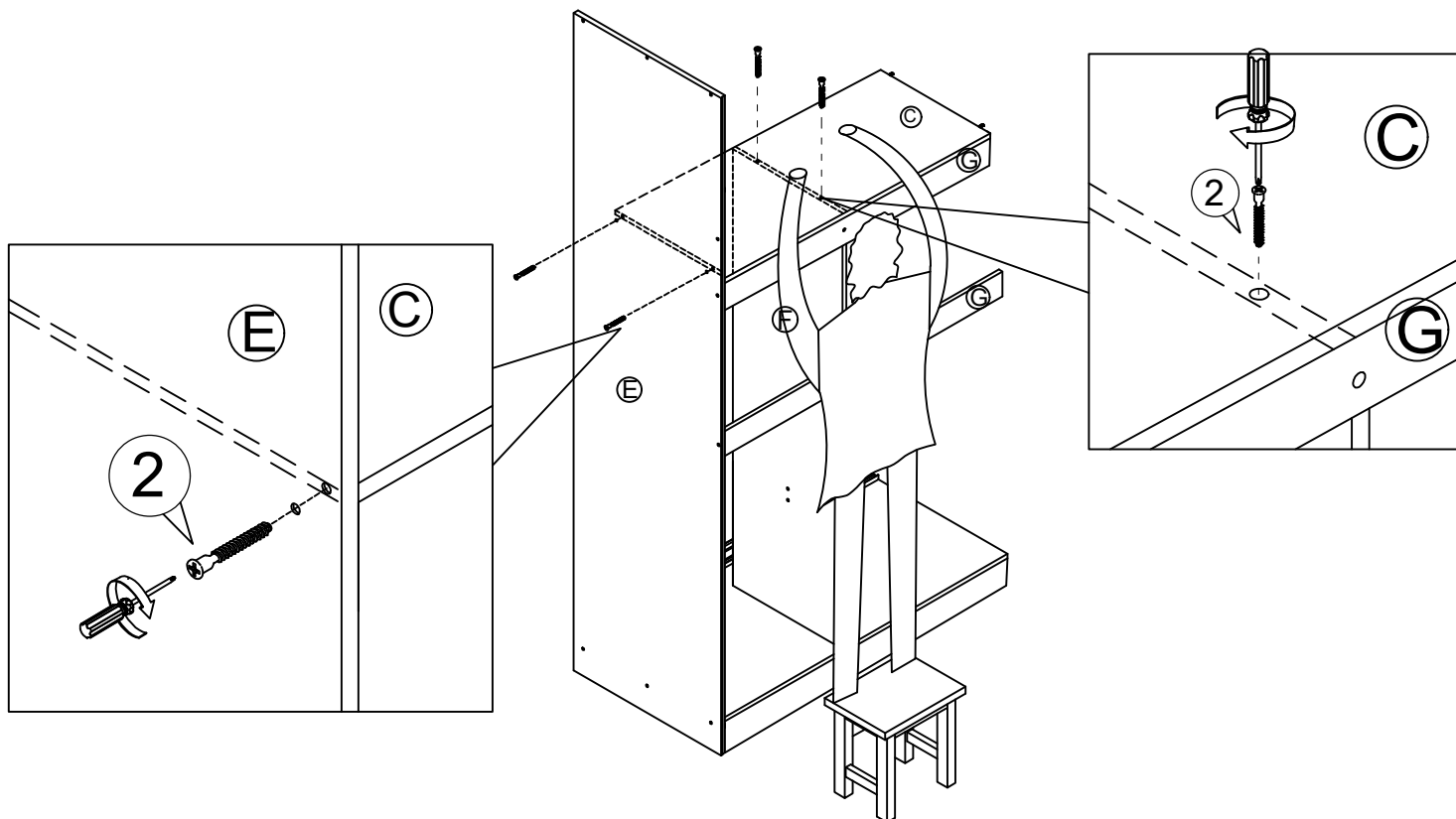


17


 ② x 4




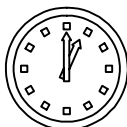
2min



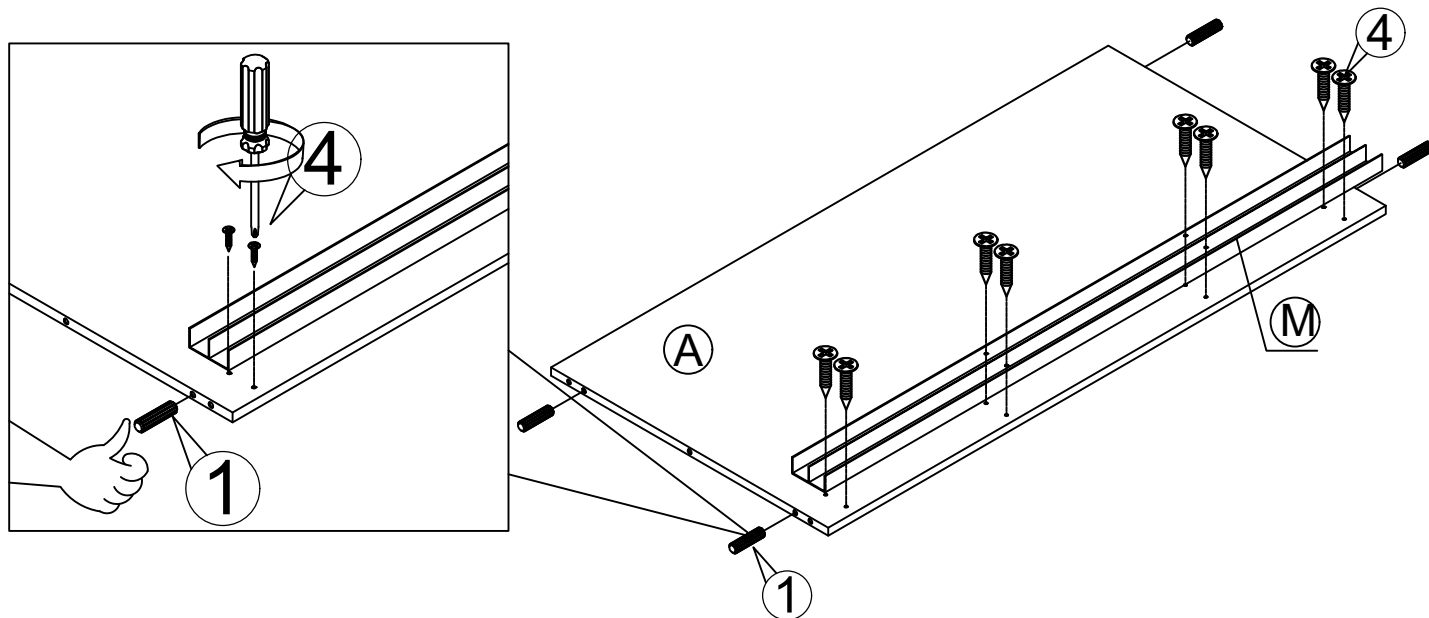
18

 ① x 4

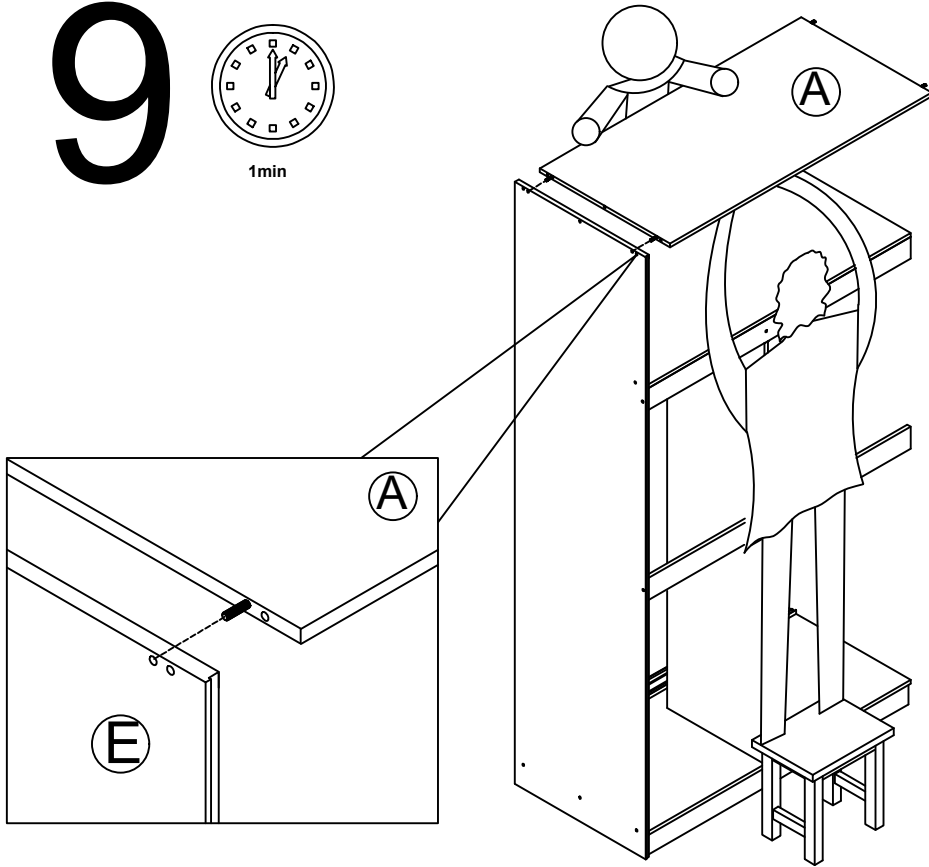
 ④ x 8



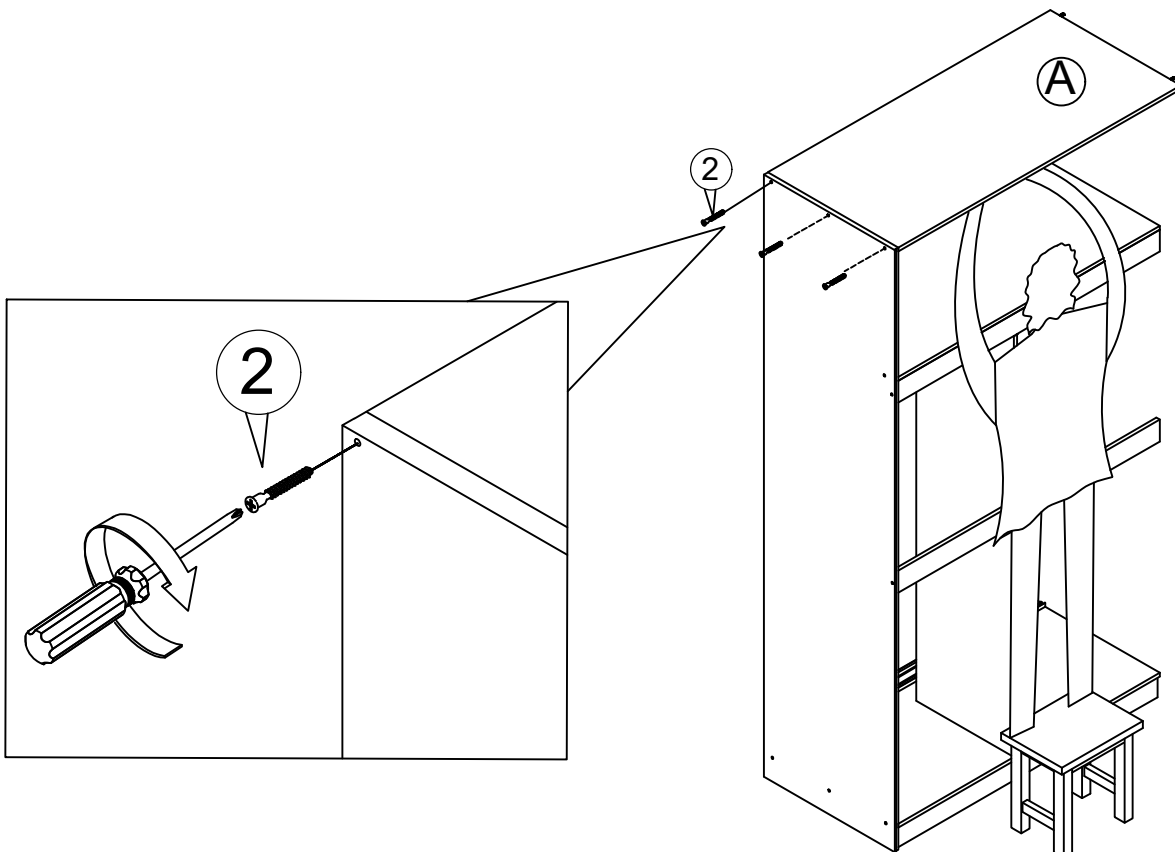
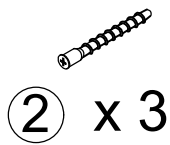
2min



19



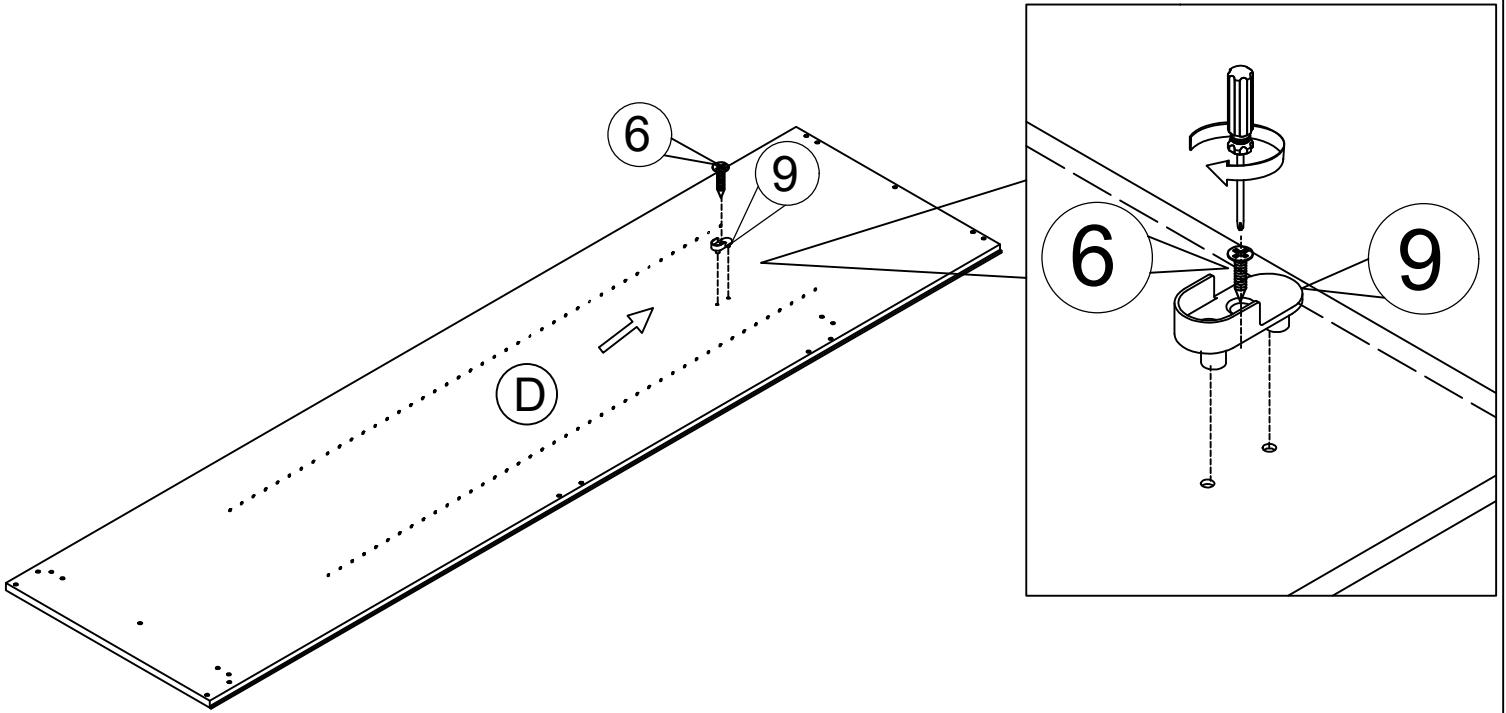
20



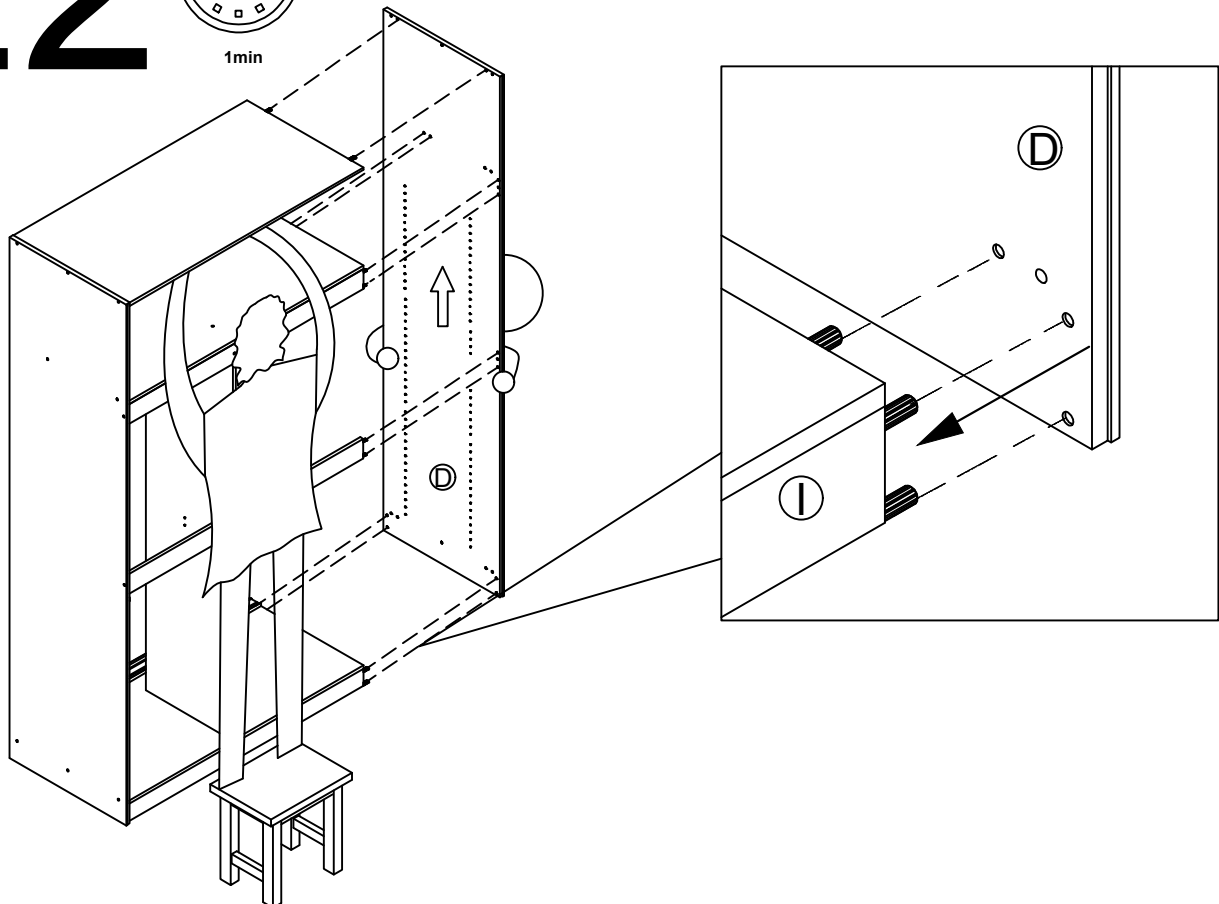
21

⑥ x 1

⑨ x 1



22

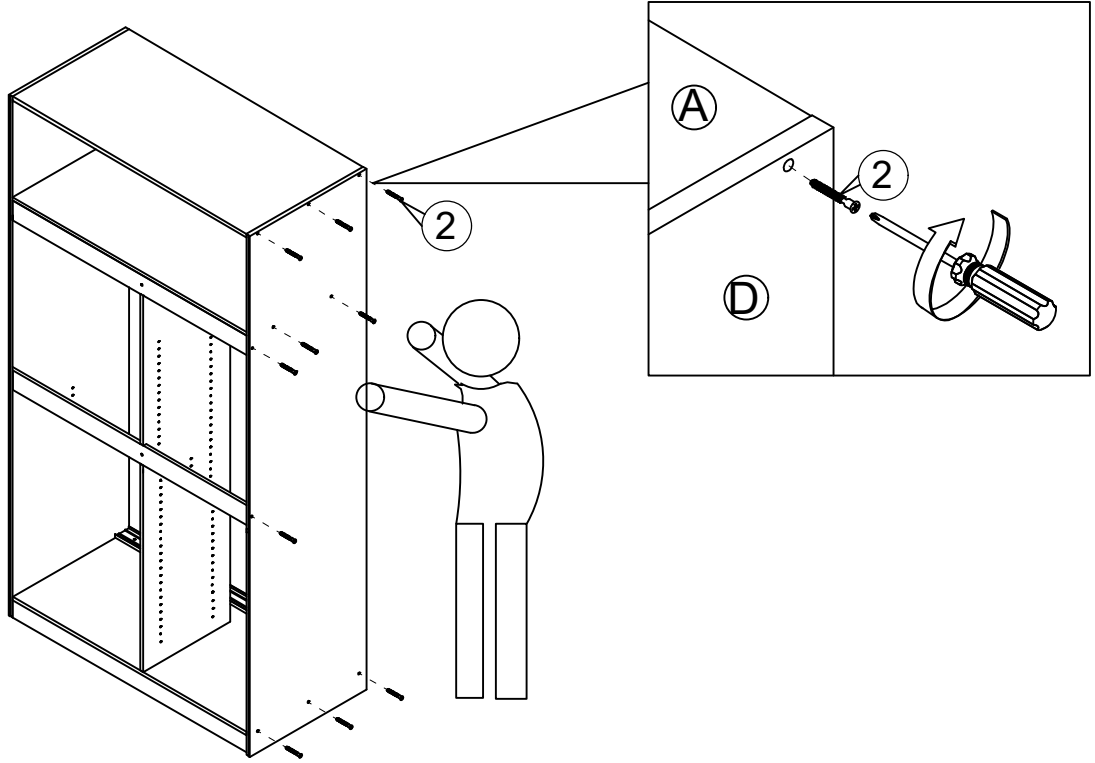


23

② x10



5min

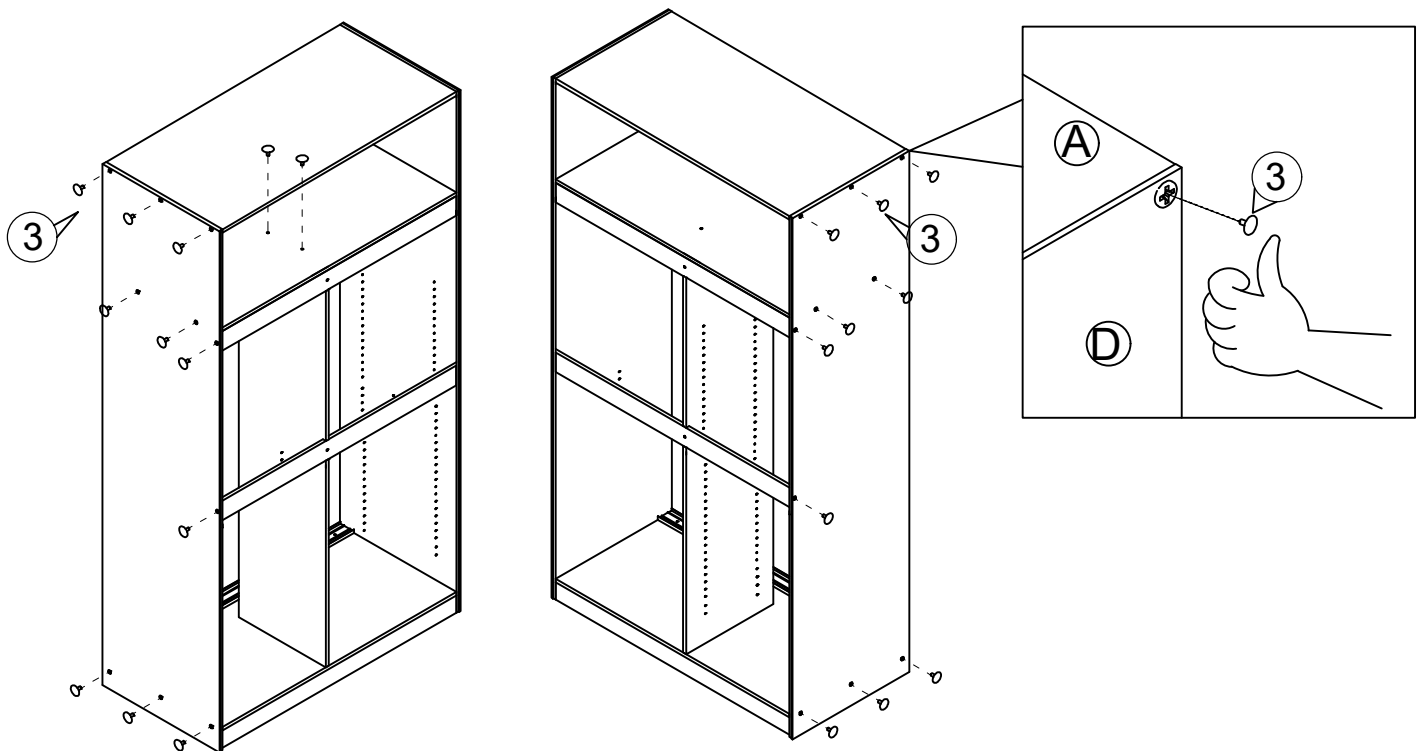


24

③ x 22



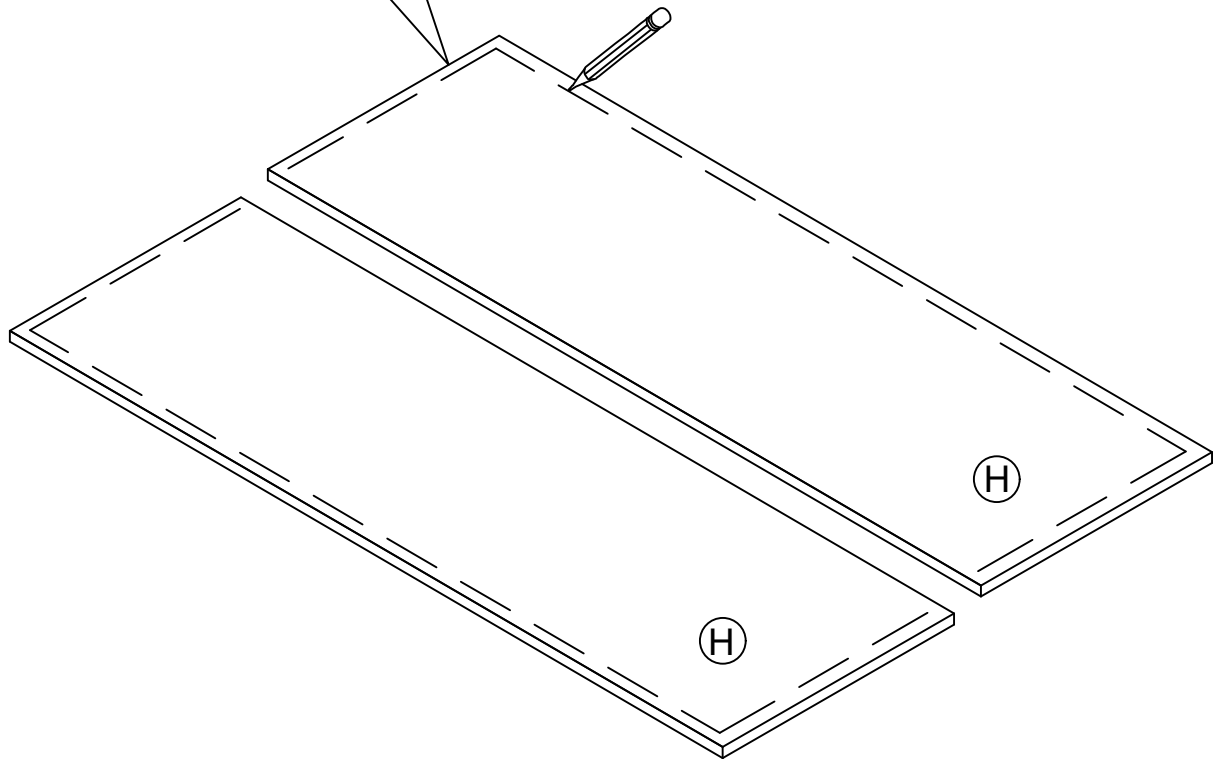
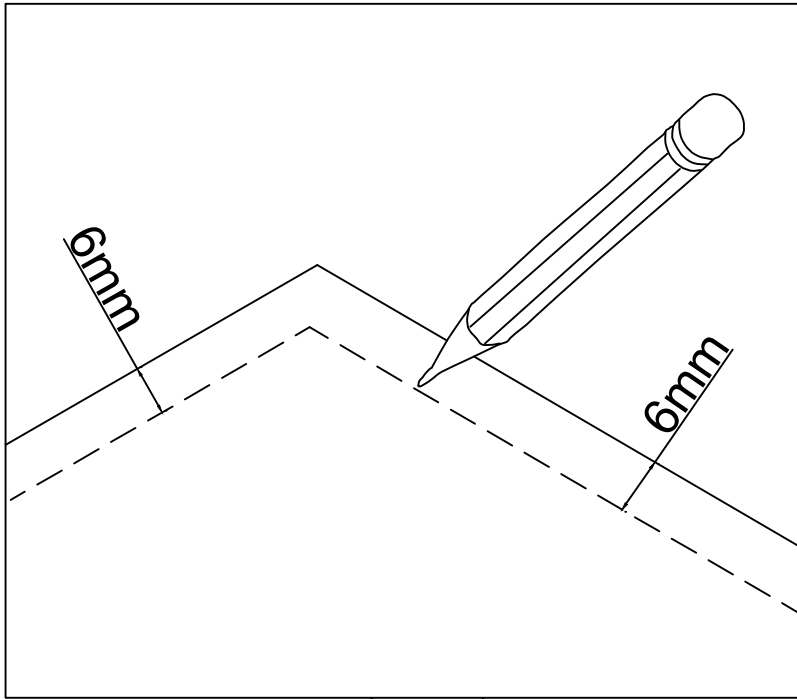
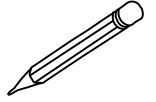
3min



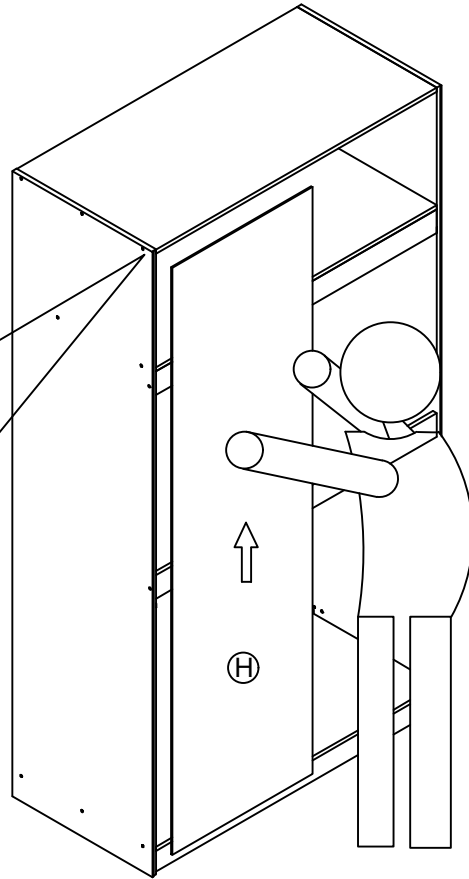
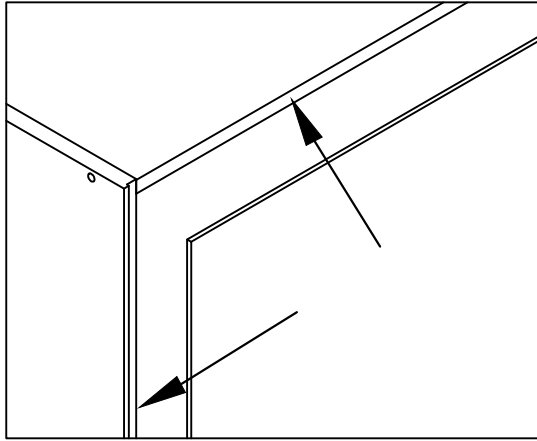
25



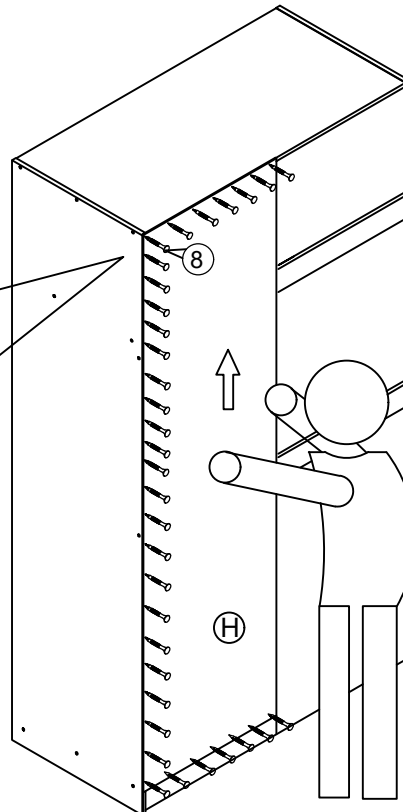
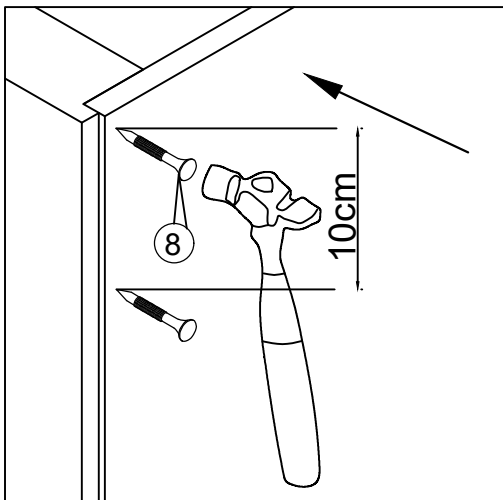
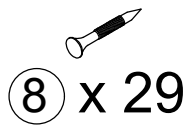
5min



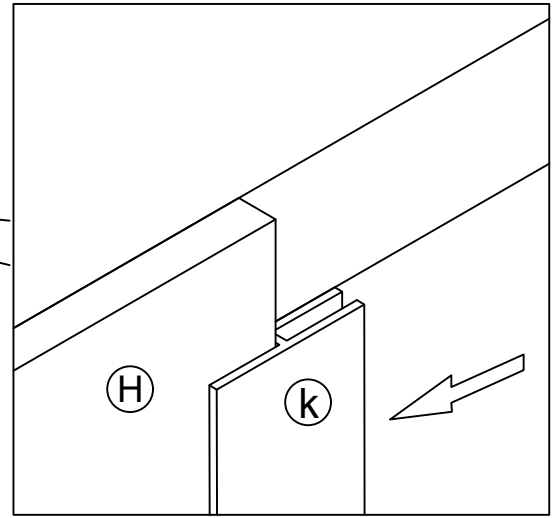
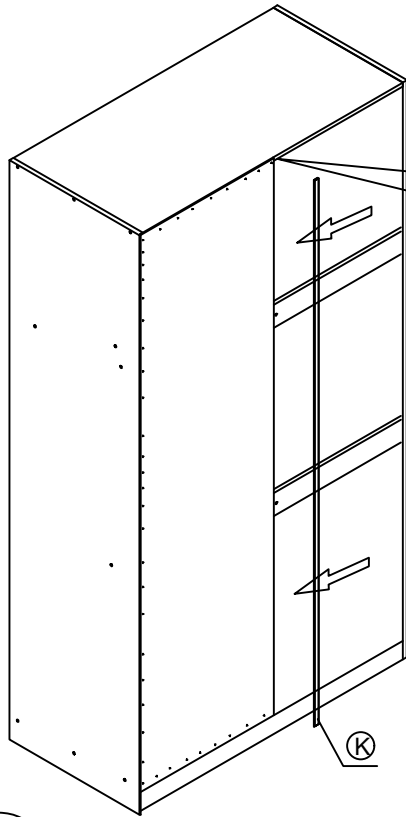
26



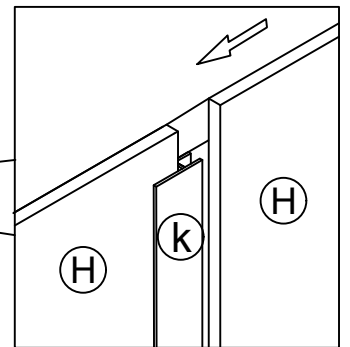
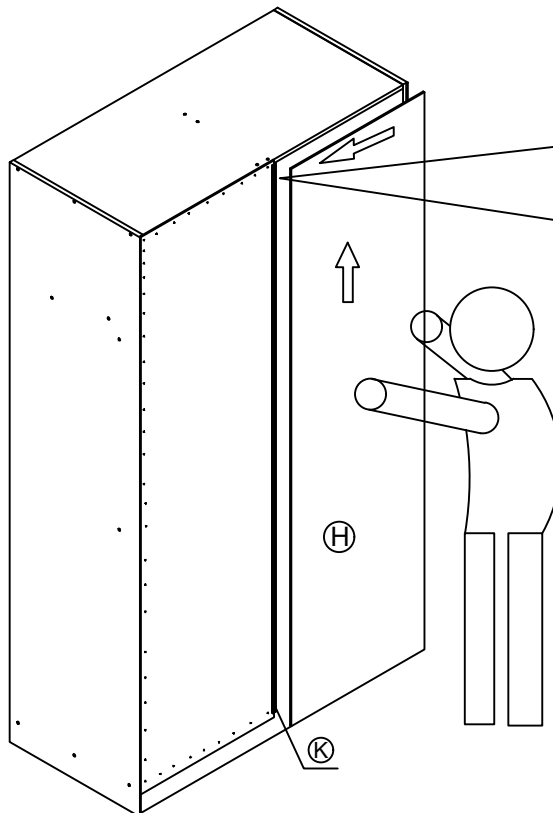
27



28



29

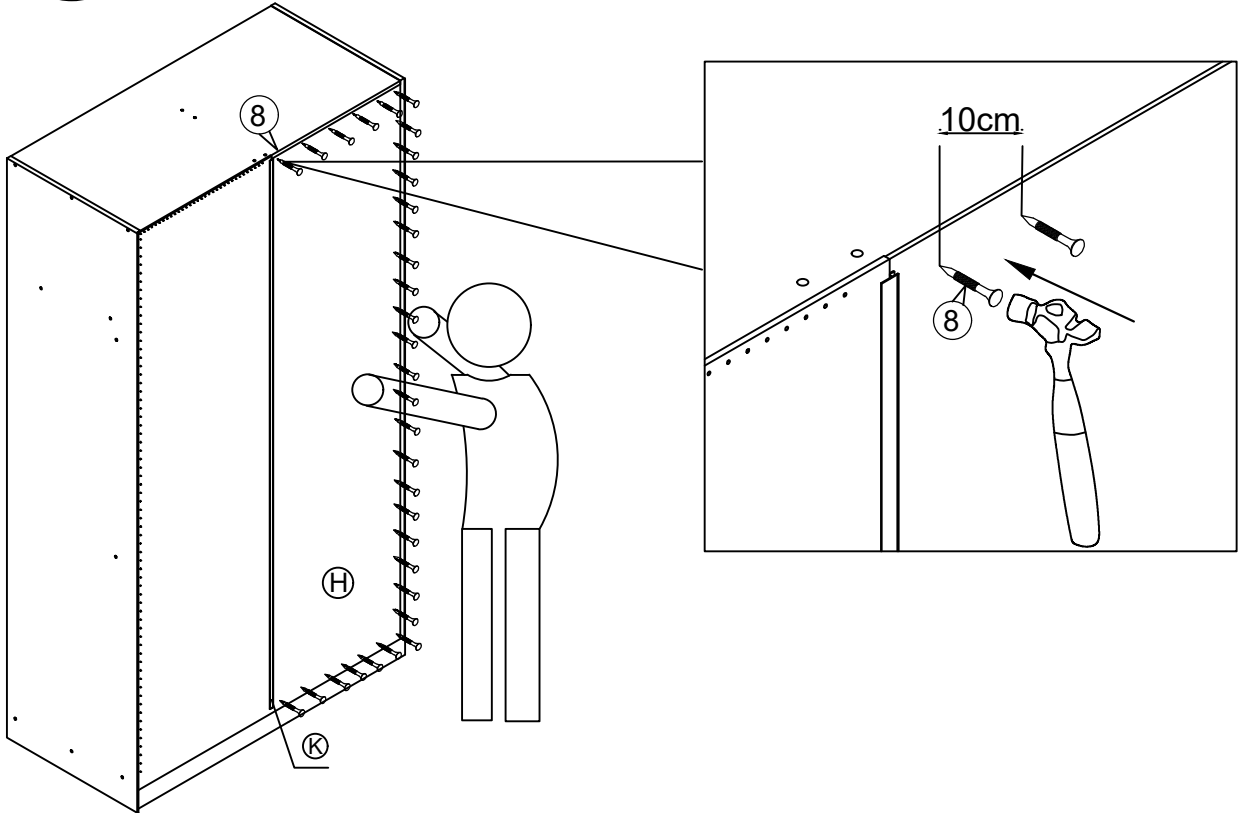
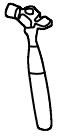


30

8 x 29



10min

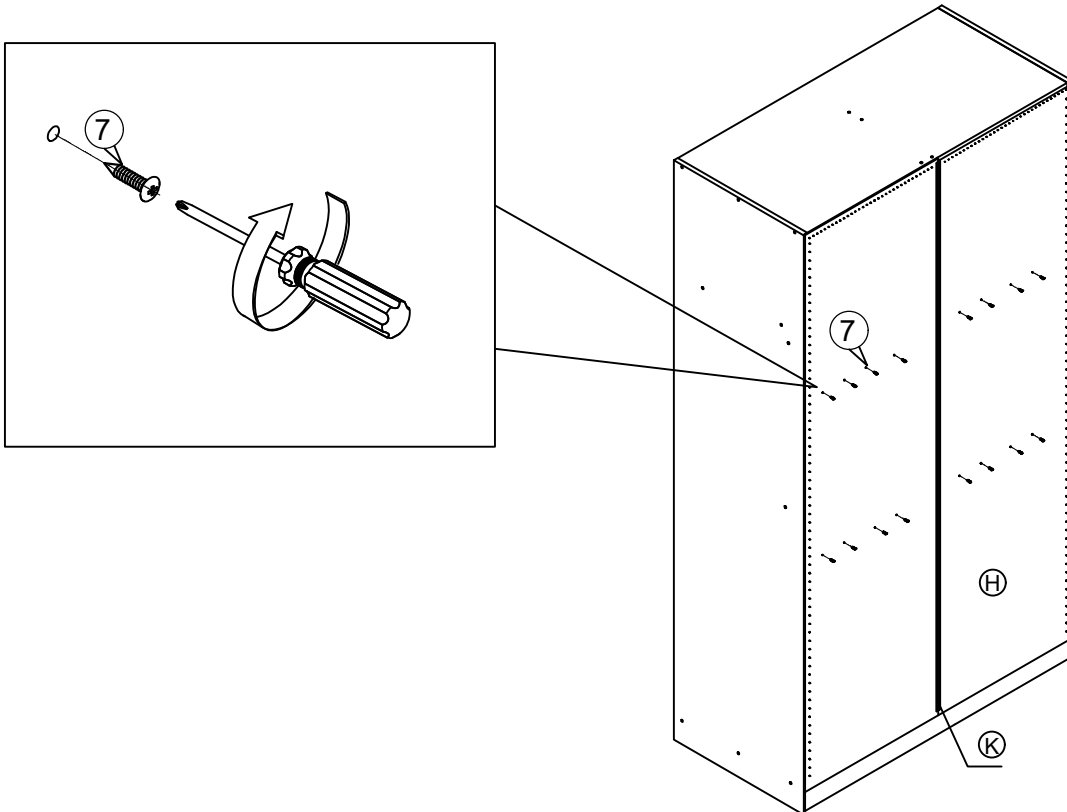


31

7 x 16



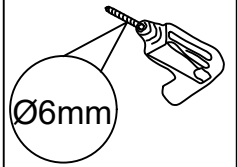
10min



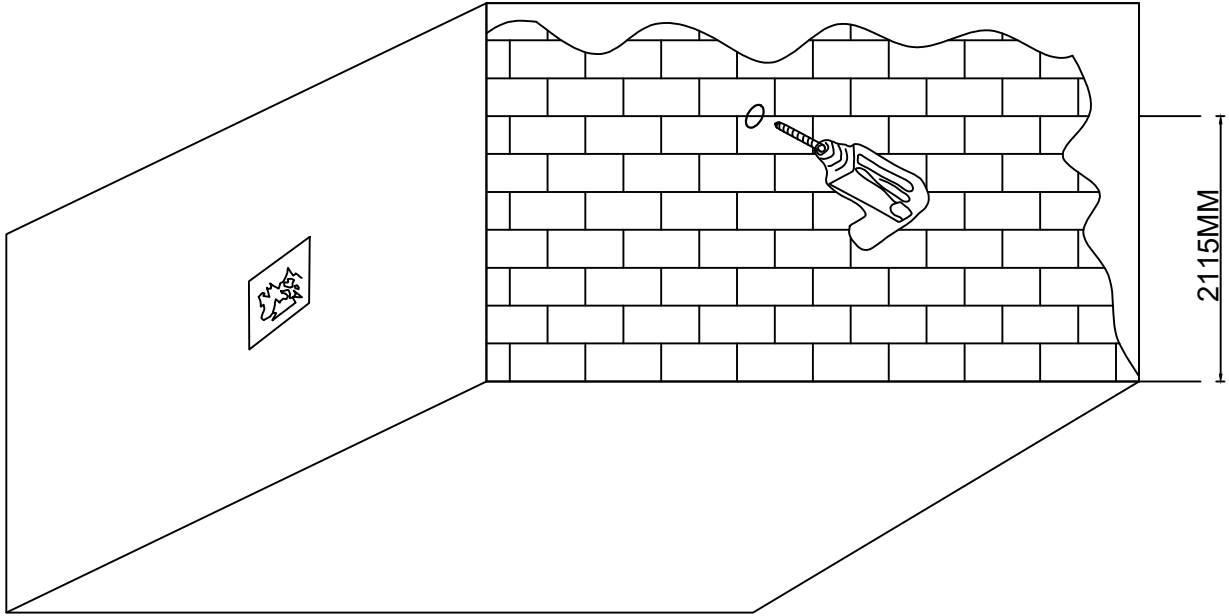
32



5min



Ø6mm



2115MM

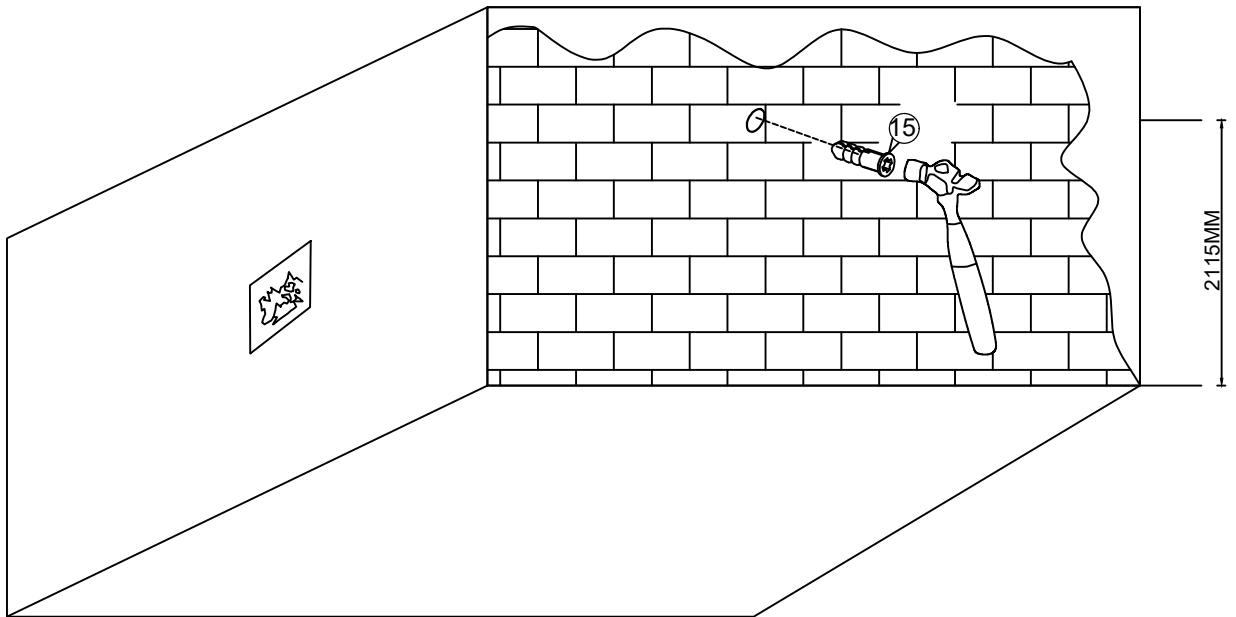
33



15 x 1

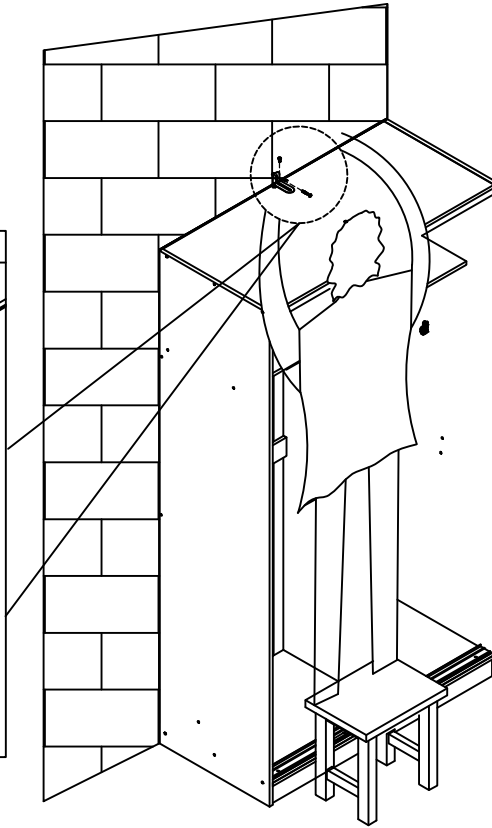
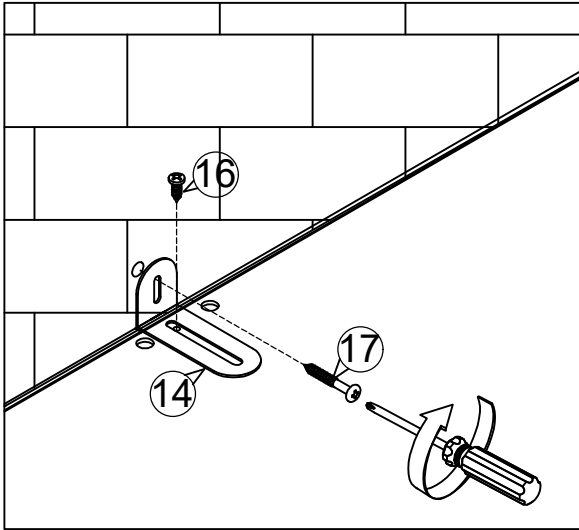
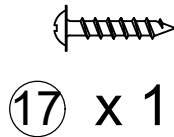
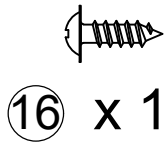
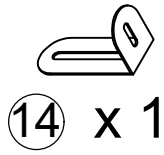


30s

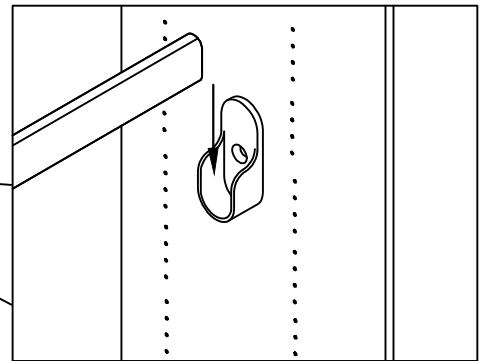
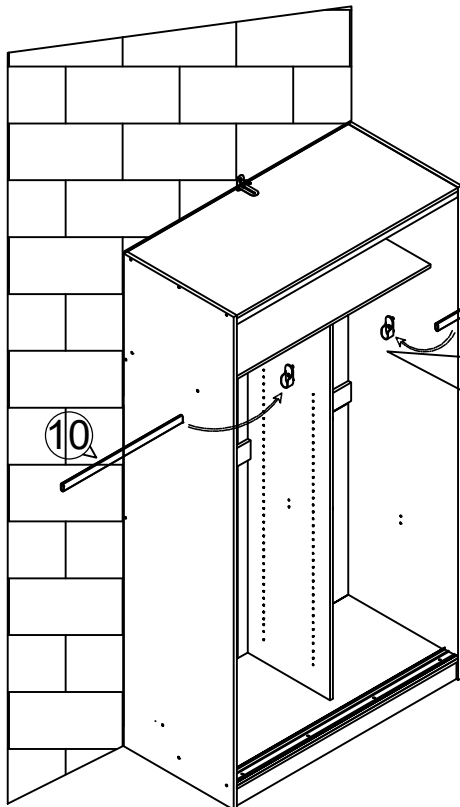
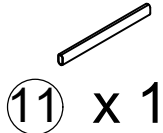
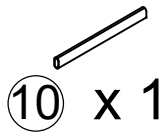


2115MM

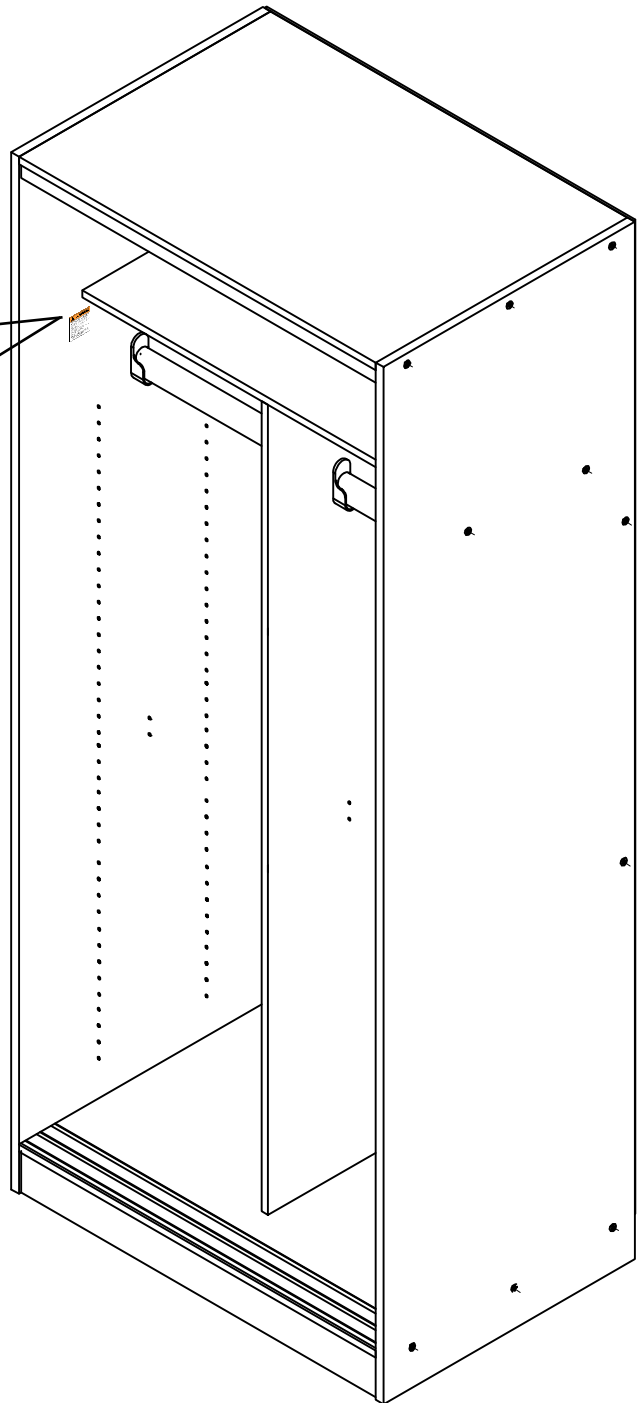
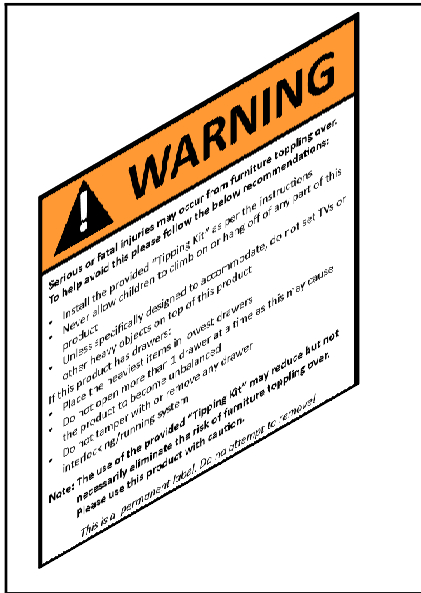
34



35



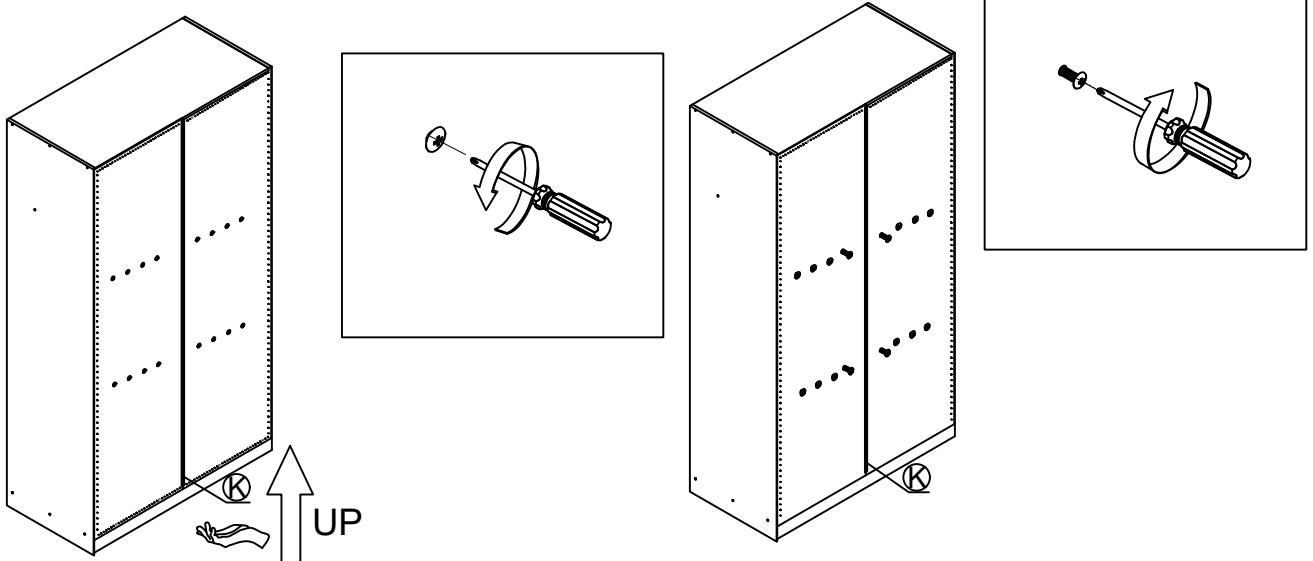
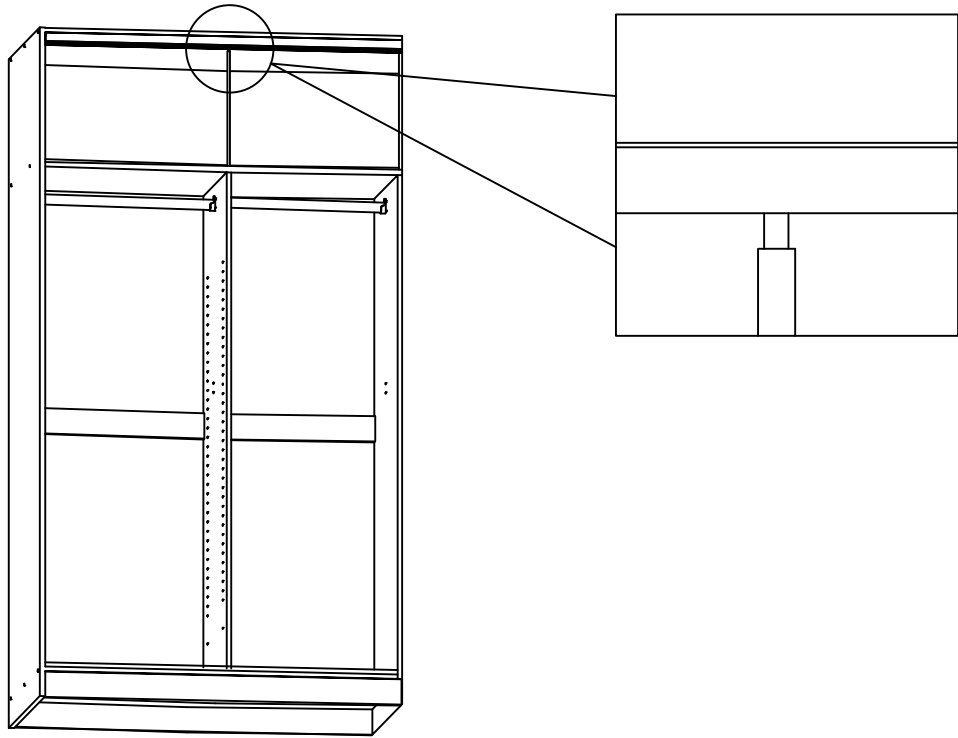
ASSEMBLY IS COMPLETE



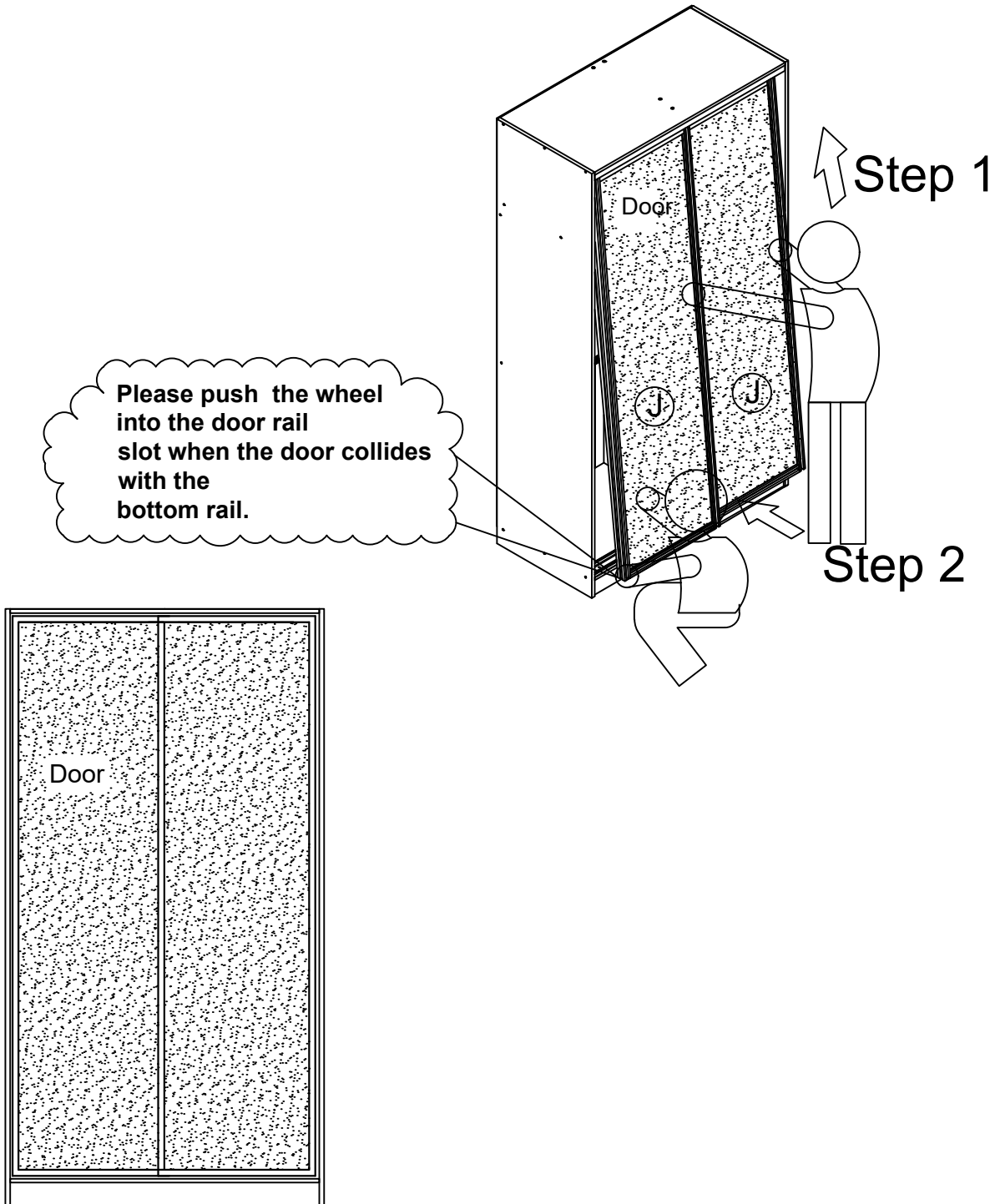
Please note – Some floors could possibly not be level or flat so it is best to ensure the wardrobe carcass frame is square and level prior to fitting of doors. This might involve the use of packing material under the base.

● IF YOU HAVE ISSUES — HELPFUL HINTS

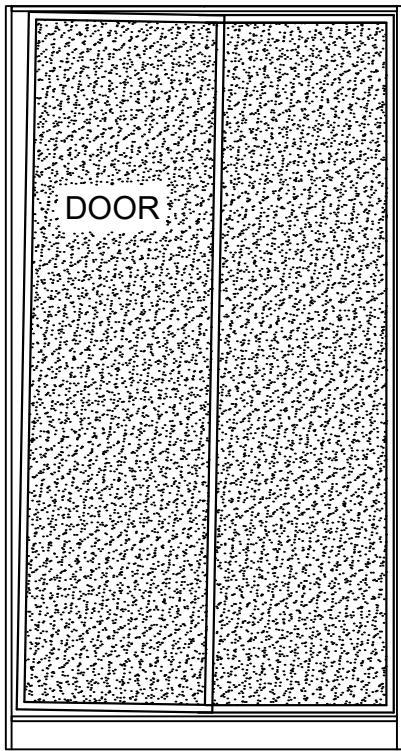
If back panel strap drop down with gap between back panel and top panel, loosen some screw beside back panel strap, then push back panel strap upward until contact with top panel and tight screws again.



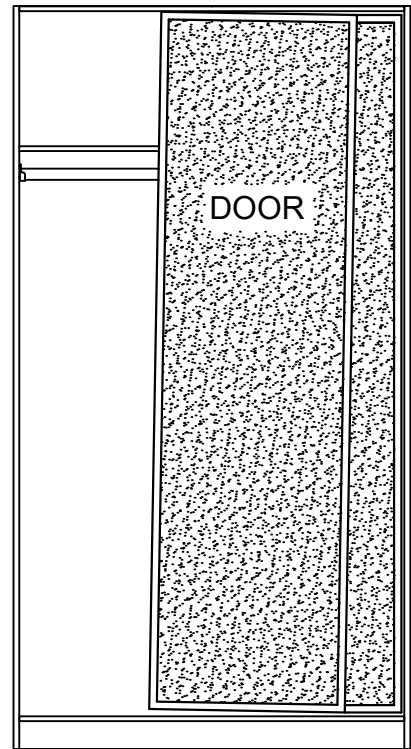
● IF YOU HAVE ISSUES — HELPFUL HINTS



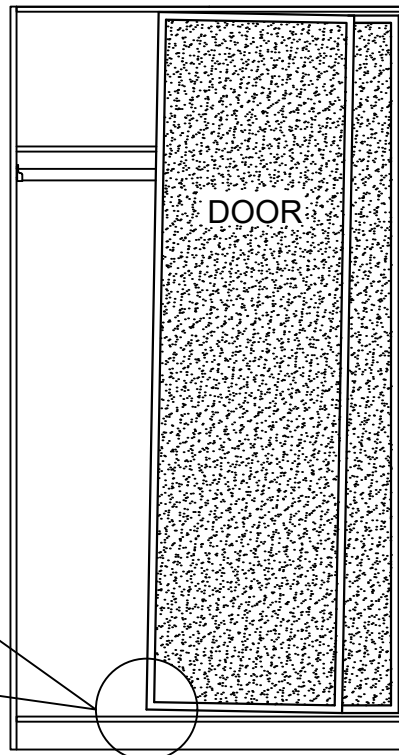
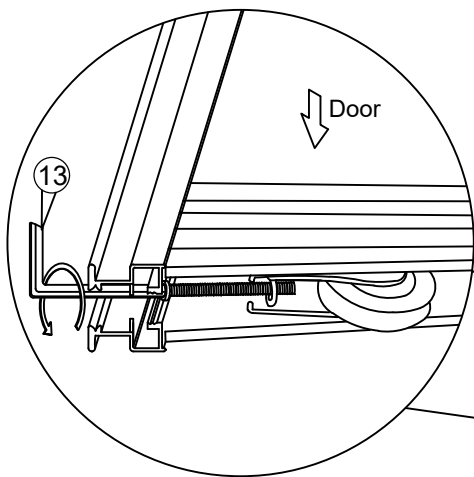
Normally the vertical edge of door should be aligned with the wardrobe side panel. Refer to below instruction if it's not.



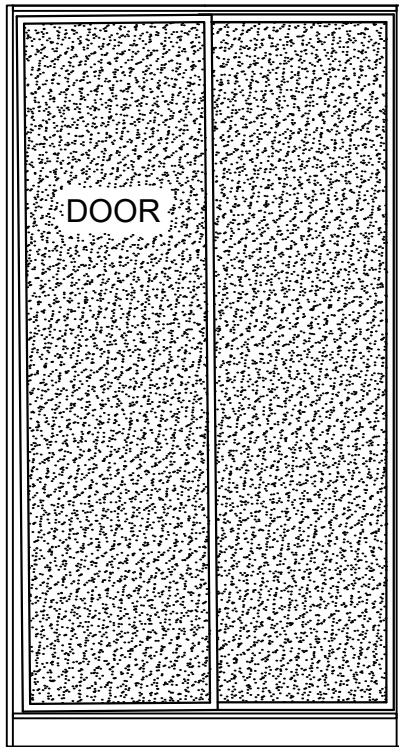
Condition



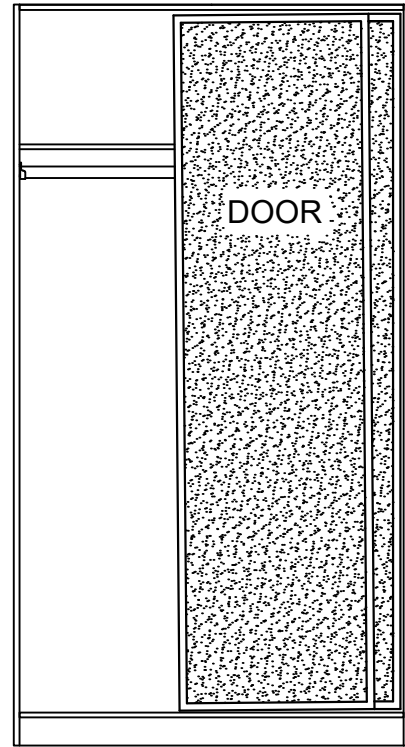
Move the tilted door to middle position.



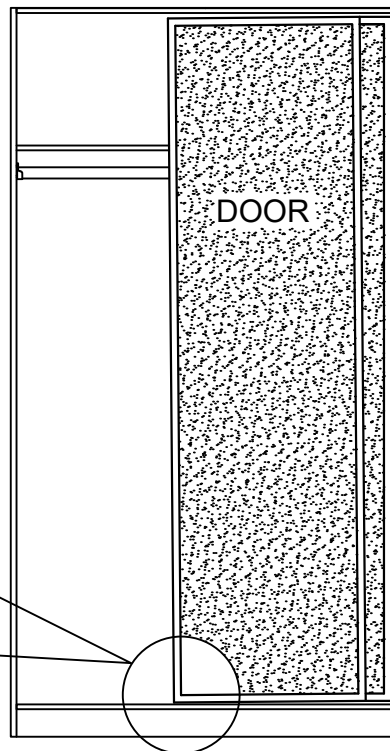
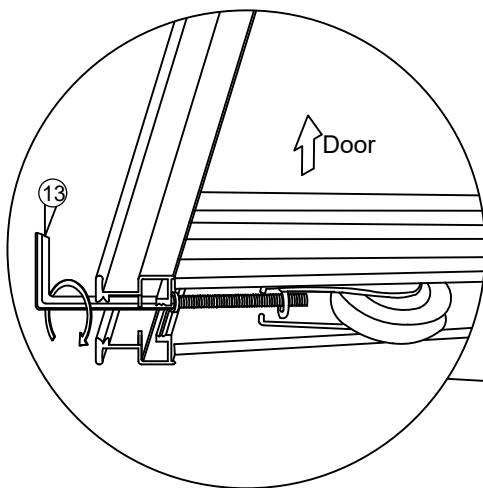
- *Turn allen wrench anticlockwise a little and remove it.
- *Slide the door to side end and check if it aligns with the side panel.
- *You may repeat the procedure several times until the door is perfectly aligned.



Condition



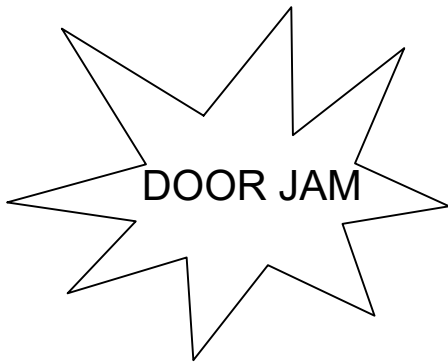
Move the tilted door to middle position.



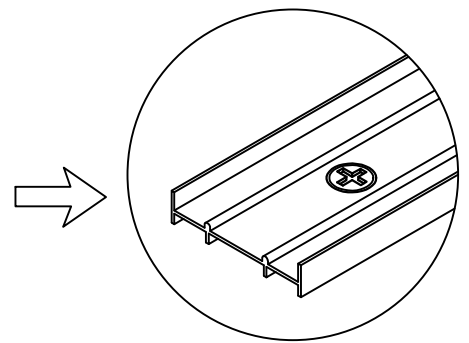
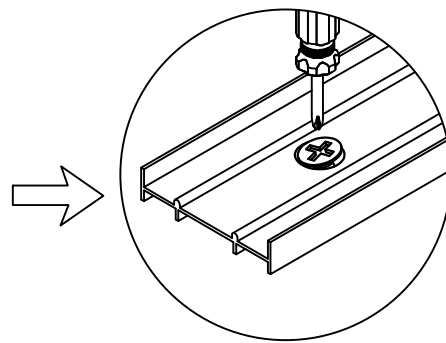
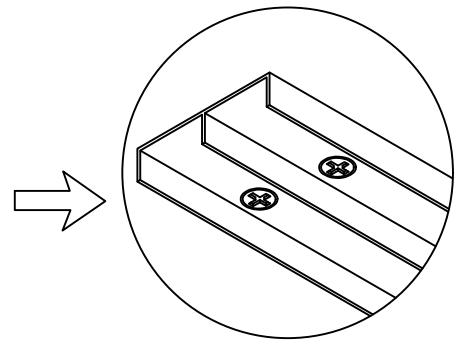
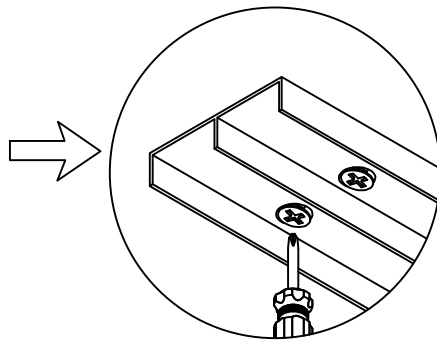
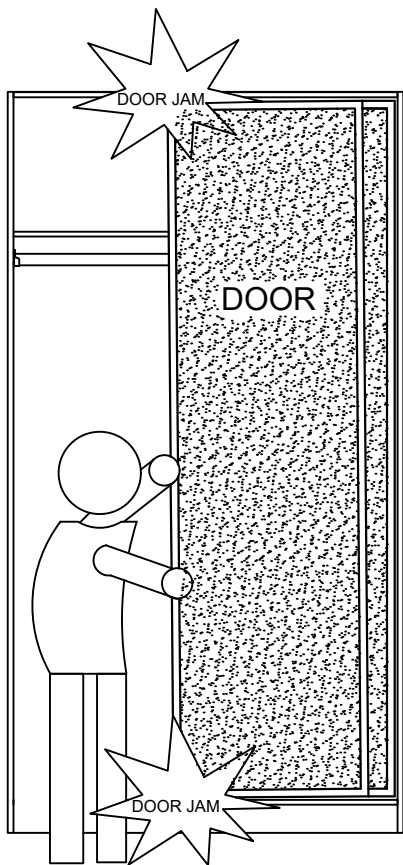
*Turn allen wrench clockwise a little and remove it.

*Slide the door to side end and check if it aligns with the side panel.

*You may repeat the procedure several times until the door is perfectly aligned.



If a door jams against the rail, try re-tightening screws as follows(either on top or bottom rail).





Care label for timber items

- A multi-step finish is applied to all our furniture, but all wood comes from nature. Because of this, there will be natural variations in surface texture and grain like knots, mineral streaks and sap runs that may affect the finish. These differences in character are not defects, but distinctions that make each piece of furniture unique.
- Our furniture is built to last. Following these steps for basic care should protect your investment for years to come.
- Dust frequently with a clean damp lint-free cloth. This will help remove abrasive build up which can damage a finish over time.
- Do not place hot objects on any furniture surface. Always use a hot plate or placemat. Laminate and lacquer finishes on table tops provide added scratch and heat resistance to our furniture, but they can still be damaged without proper care.
- Avoid exposing your furniture to strong sunlight, heat outlet, open windows or dampness. Prolonged exposure to direct sunlight can fade the finish of your furniture, while extreme temperature and humidity changes can cause cracking or splitting.
- Do not expose your furniture to any liquids. Never allow water to sit on your furniture. Alcohol, nail polish and perfume are also dangerous as they will dissolve the lacquer finish on contact and may require professional repairs.
- Do not allow plastic to come in direct contact with your furniture. Chemicals in the plastic of placemats etc may soften and mark the finish if left in contact with the furniture for a period of time.